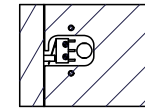
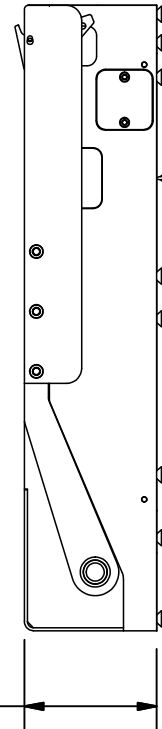


SECTION A-A
(ITA Micro-Switch
wires not shown)



SECTION B-B
(Handle Micro-Switch
wires not shown)



COMMENTS / NOTES

Supplied with faceplate mounting screws.



WWW.MACPANEL.COM

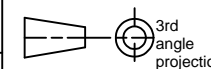
DRAWN BY

DATE

3/30/2011

DESCRIPTION

Receiver, S/75, (ARINC 608A)



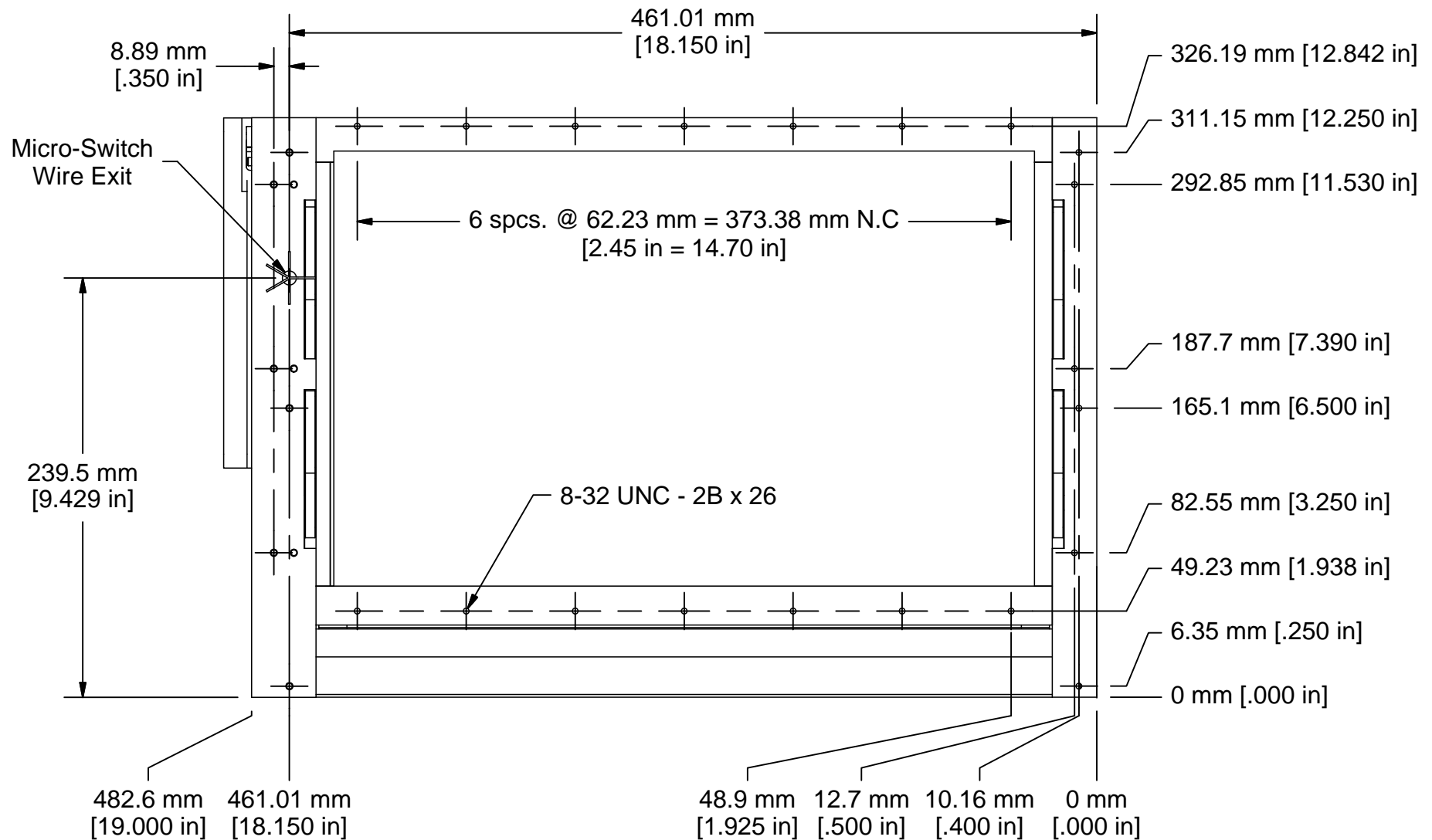
DRAWING NO.

7511211-26D-CU

REVISION

SHEET

1 OF 2



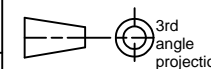
COMMENTS / NOTES

Mounting hole positions.

MAC-PANEL

WWW.MACPANEL.COM

DRAWN BY DATE 3/30/2011



SHEET 2 OF 2

DESCRIPTION

DRAWING NO.

7511211-26D-CU

REVISION