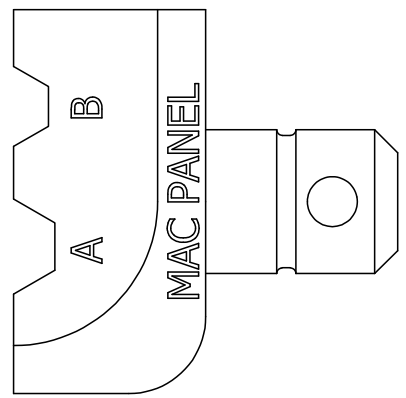
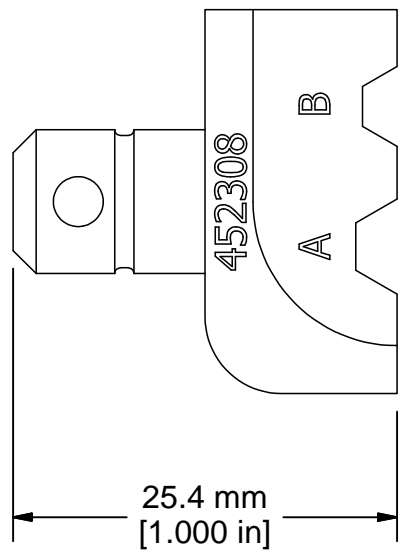
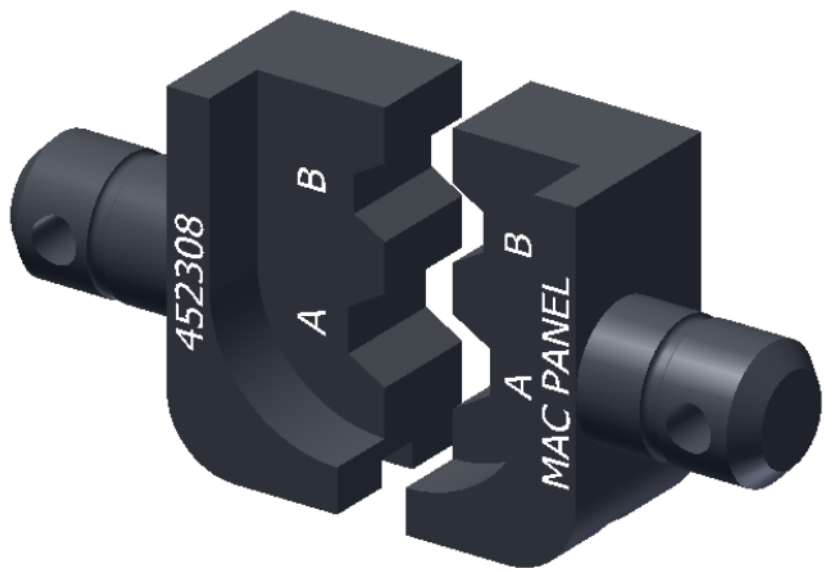
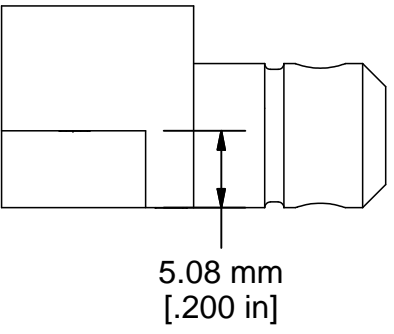
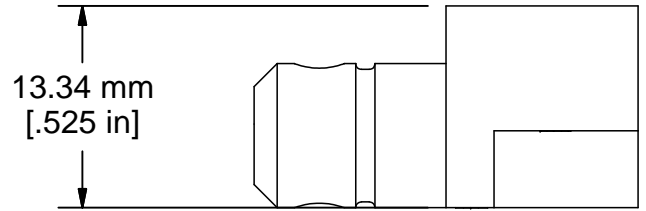



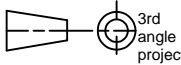
Used on contacts	
ITA	Receiver
7865200-04	7865100-04
7865200-05	7865100-05



COMMENTS / NOTES

Fits in crimp tool P/N 452300

  
 WWW.MACPANEL.COM

DRAWN BY:   
 DATE: 8/2/2010  
 SHEET 1 OF 1

DESCRIPTION: Tooling, Hex Die, Mini Coax.  
 DRAWING NO.: 452308-CU  
 REVISION: