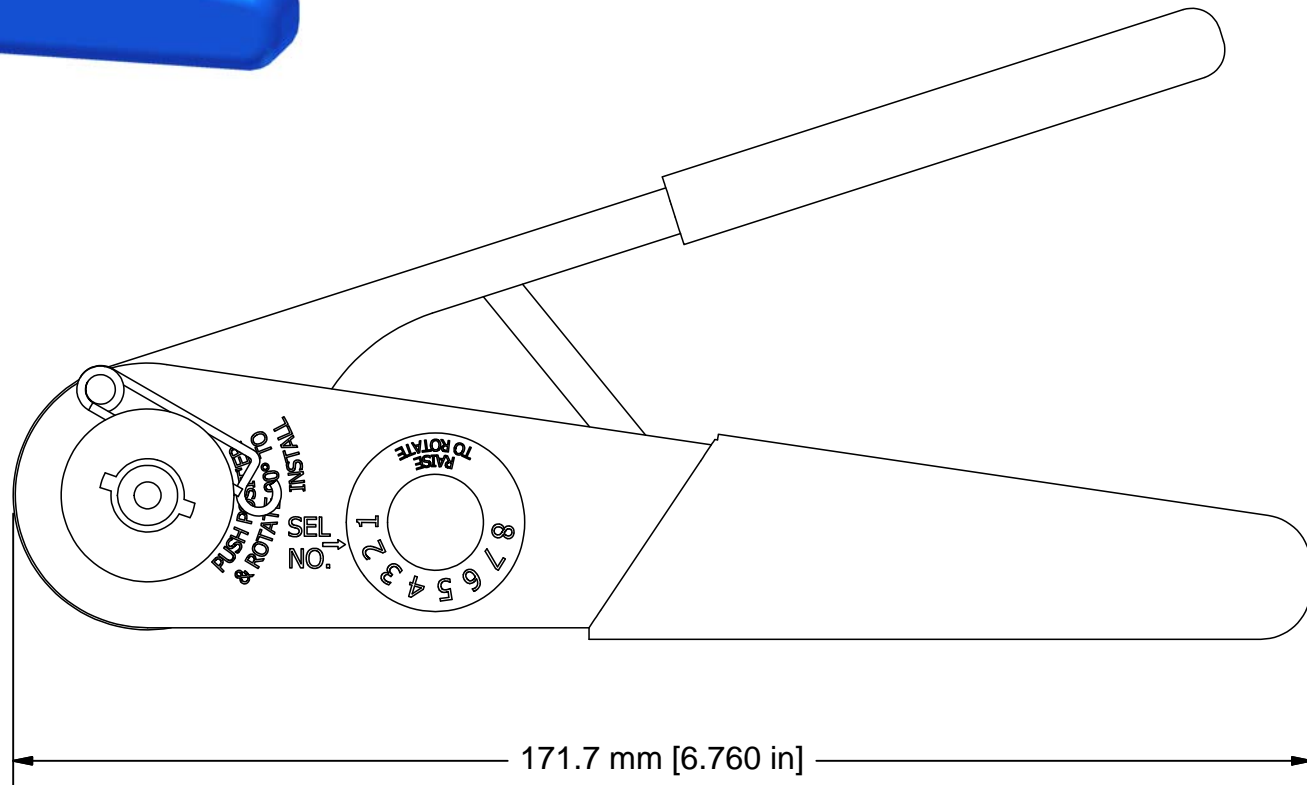




Used with these positioners :

- 452212
- 452215
- 452218
- 452299



COMMENTS / NOTES

MAC-PANEL

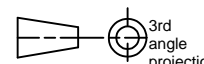
WWW.MACPANEL.COM

DRAWN BY

DATE
8/18/2008

DESCRIPTION

Crimp tool frame, Miniture



3rd
angle
projection

DRAWING NO.

452200/M-CU

REVISION

SHEET

1 OF 1