

COMMENTS / NOTES

Module fitting procedure:

Top is removed by unscrewing 3 screws ("a") with a  $\frac{7}{64}$ " Hex key.  
 The ITA module can then be fastened in position, wires routed through the clamp mechanism and the top replaced.

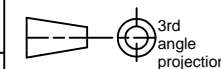
MAC-PANEL

WWW.MACPANEL.COM

DRAWN BY

DATE

11/1/2011



3rd  
angle  
projection

DESCRIPTION

MPX, ITA Assembly, Ported Front.

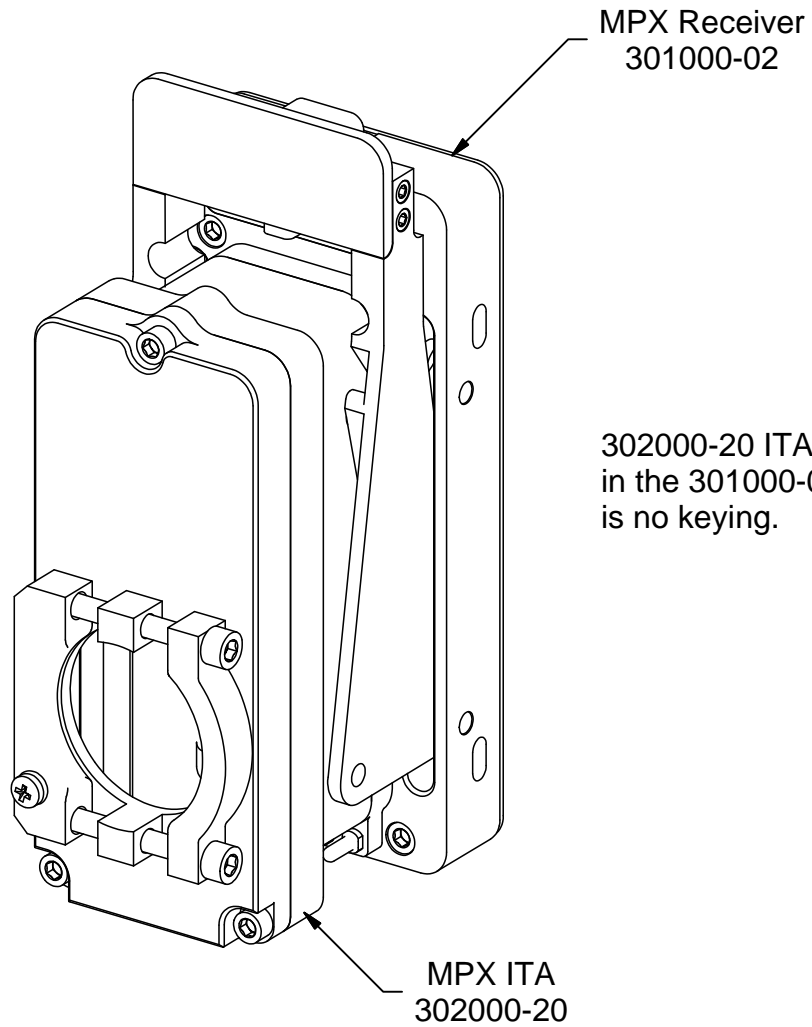
DRAWING NO.

302000-20-CU

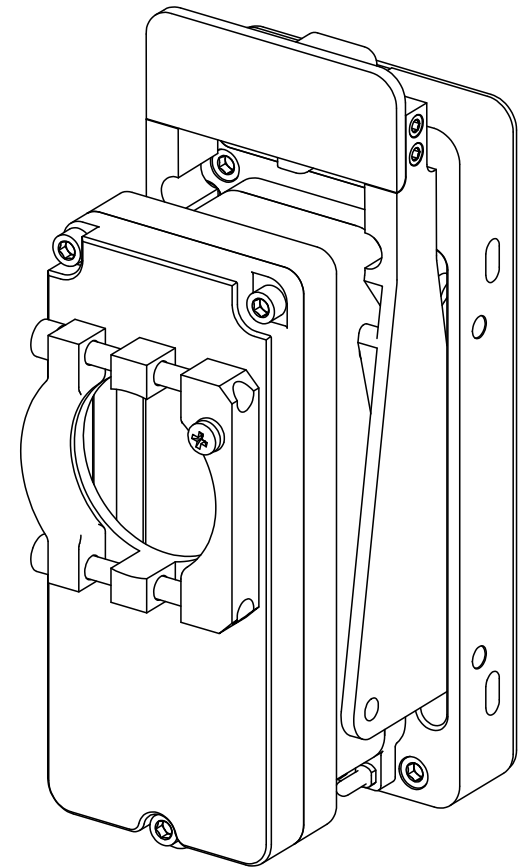
REVISION

SHEET

1 OF 2



302000-20 ITA can be mounted either way  
in the 301000-02 MPX Receiver as there  
is no keying.



COMMENTS / NOTES

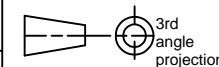
MAC-PANEL

WWW.MACPANEL.COM

DRAWN BY

DATE

11/1/2011



SHEET

2 OF 2

DESCRIPTION

DRAWING NO.

-CU

REVISION