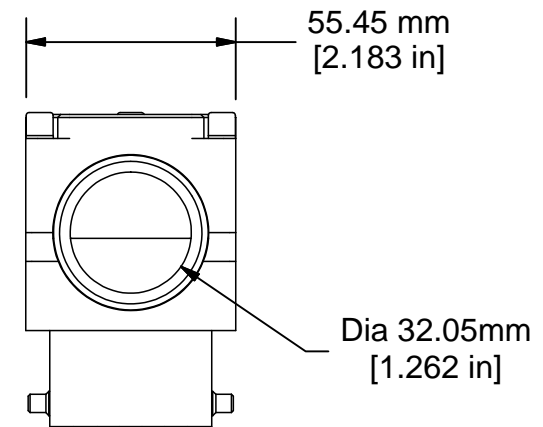
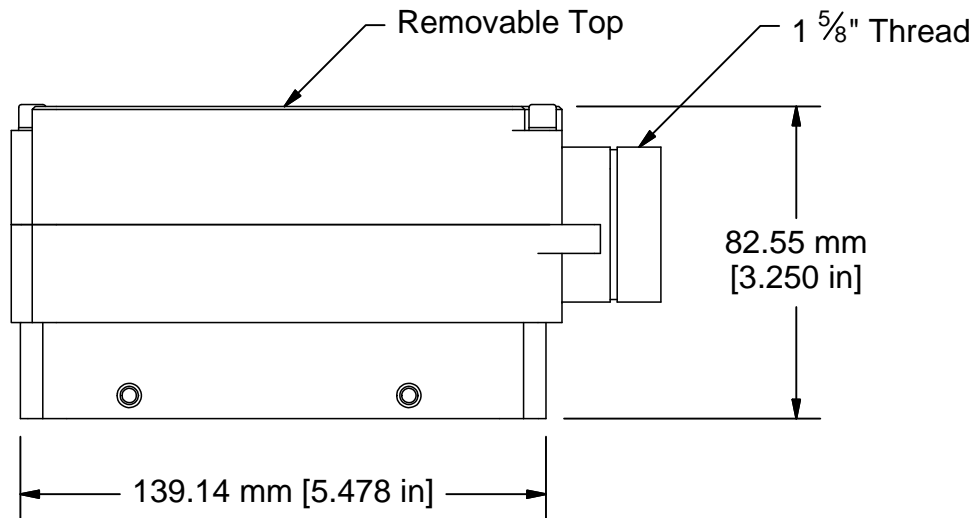
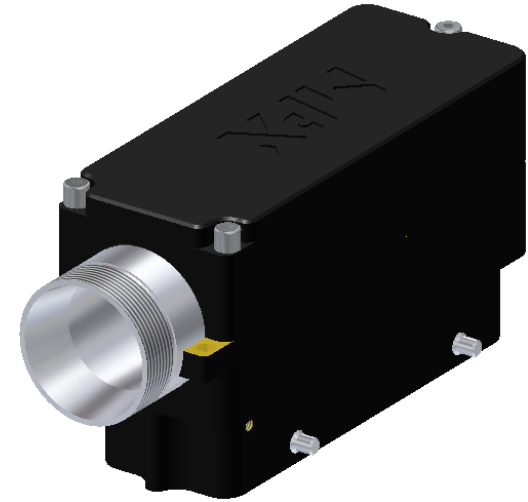
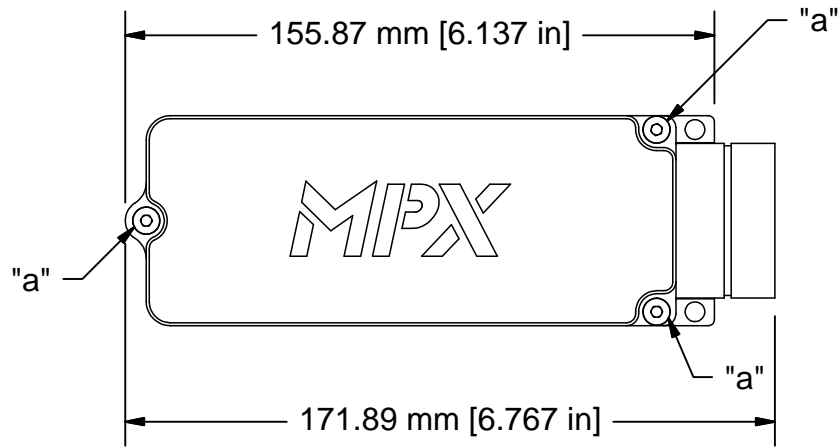


Replaces, 302000-01, 302000-06 and 302000-09.



COMMENTS / NOTES

Module fitting procedure:

Top is removed by unscrewing 3 screws ("a") with a 7/64" Hex key.  
The ITA module can then be fastened into position, wires routed through the threaded coupling and the lid replaced.

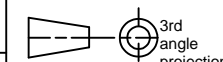


WWW.MACPANEL.COM

DRAWN BY

DATE

11/1/2011



SHEET

1 OF 2

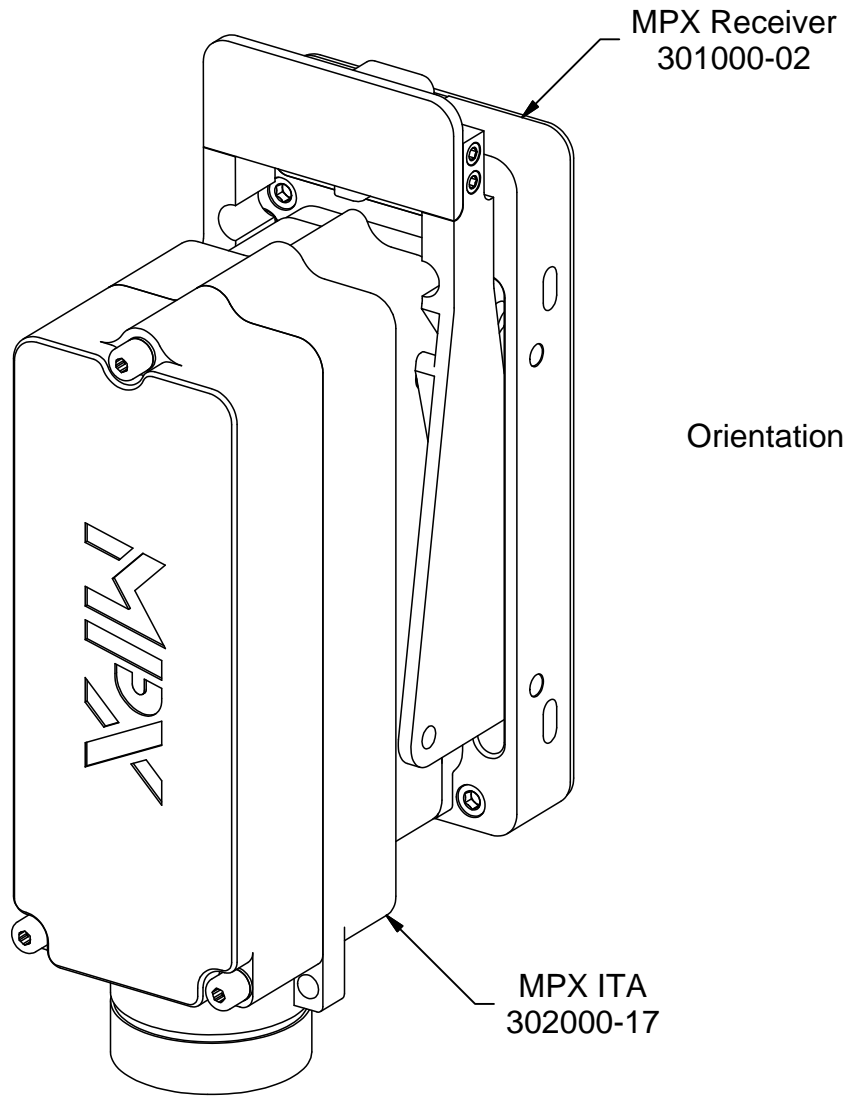
DESCRIPTION

ITA, MPX, Backshell,  
1 5/8" Male threaded coupling.

DRAWING NO.

302000-17-CU

REVISION



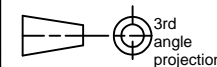
Orientation of 302000-17 ITA in 301000-02 MPX receiver.

COMMENTS / NOTES

MAC-PANEL

WWW.MACPANEL.COM

DRAWN BY DATE  
11/1/2011



SHEET 2 OF 2

DESCRIPTION

DRAWING NO.

-CU

REVISION