

COMMENTS / NOTES

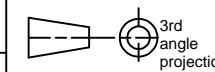
Module fitting procedure :

Top is removed by unscrewing 3 screws ("a") with a 7/64" Hex key.  
 The ITA module can then be fastened into position, wires routed through the threaded coupling and the top replaced.



WWW.MACPANEL.COM

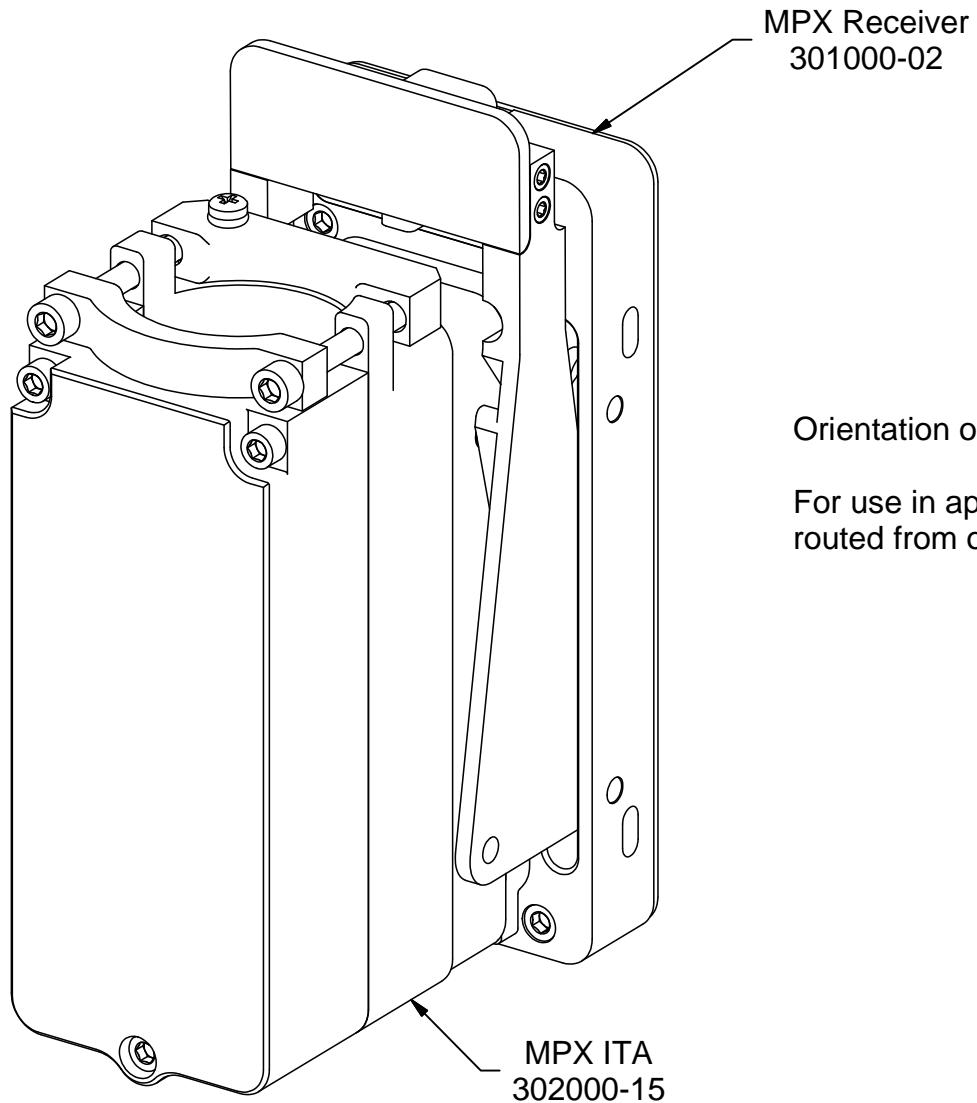
DRAWN BY DATE  
 11/1/2011



SHEET 1 OF 2

DESCRIPTION  
 MPX, ITA Assembly, Ported Top.

DRAWING NO. 302000-15-CU REVISION



Orientation of 302000-15 ITA in 301000-02 MPX receiver.

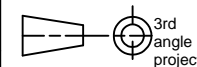
For use in applications where cables are routed from overhead.

COMMENTS / NOTES

MAC-PANEL

WWW.MACPANEL.COM

DRAWN BY DATE  
11/1/2011



SHEET 2 OF 2

DESCRIPTION

DRAWING NO.

-CU

REVISION