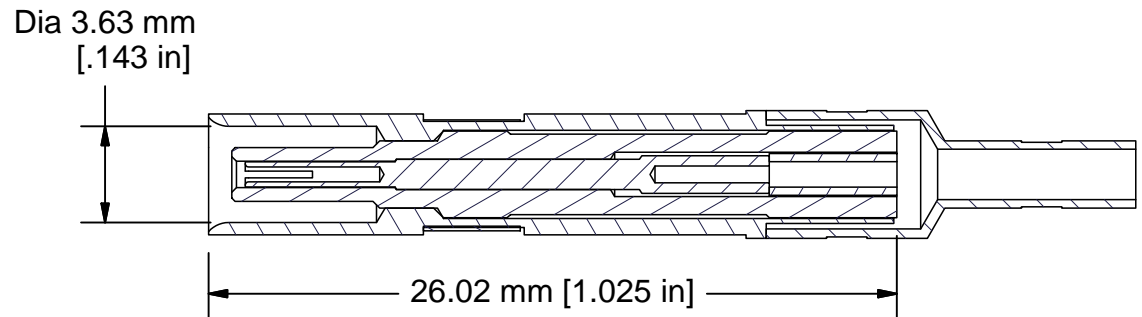
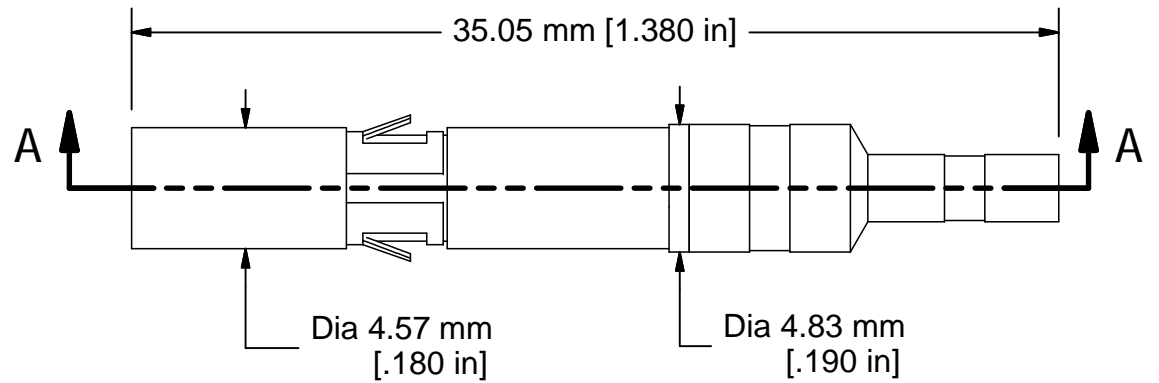


RatedContactFrequencyRange : DC - 1 GHz
Impedance : 50 Ohms
OperatingCurrent : 0.5 AmpsMax. Continuous
DielectricWithstandingVoltage(DWV) : 1500VDCMin.
InsertionLoss : 1.2 dB@1 GHz; 1.02 dB@500 MHz
InsulationResistance : 1000Mohms
VSWR : < 1.06@1 GHz
ShieldMaterial : Brass360
ShieldPlating : Au (Gold) over Ni (Nickel)
CenterConductorMaterial : BeCu
CenterConductorPlating : Au (Gold) over Ni (Nickel)
Cycle Life : 20,000
Wire Type (Max. SuggestedFrequency) : RG178 (3 GHz)



SECTION A-A

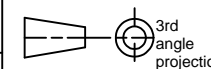


COMMENTS / NOTES

○○○○○○
MAC-PANEL

WWW.MACPANEL.COM

DRAWN BY DATE
 18/08/2008



SHEET 1 OF 1

DESCRIPTION
 Contact, Receiver, Mini Coax,
 Special RG178

DRAWING NO. 0884010-08-CU REVISION