

Socket
Rear View

COMMENTS / NOTES

Micro Power OR Micro Coax Contacts.
Positions: (1 ↔ 4) (9 ↔ 12) (17 ↔ 20) (25 ↔ 28)

Signal Contacts.
Positions: (5 ↔ 8) (13 ↔ 16) (21 ↔ 24) (29 ↔ 32)

See sheet 2 for cutout dimensions.

MAC-PANEL

WWW.MACPANEL.COM

DRAWN BY

DATE 18/08/2008

3rd angle projection

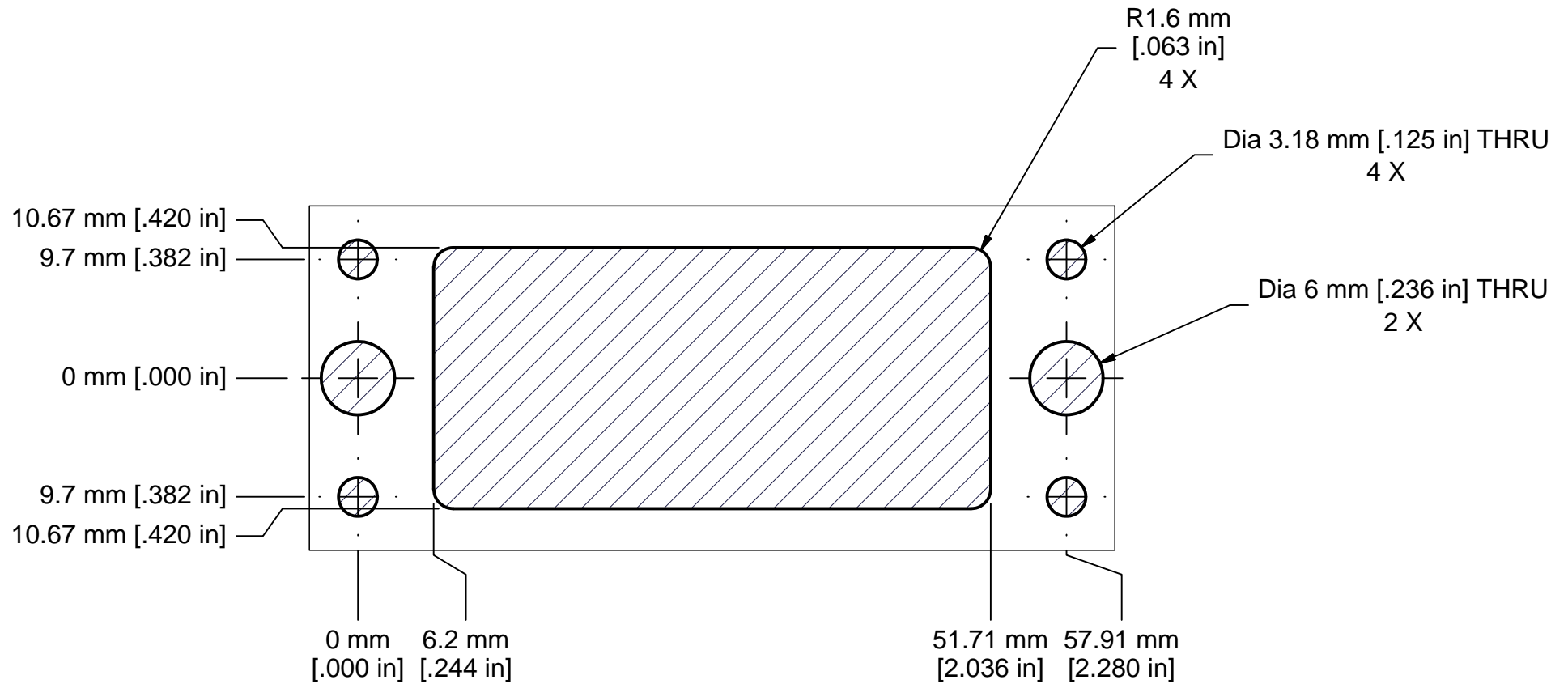
SHEET 1 OF 2

DESCRIPTION

Hybrid LIF, 16 / 16 Socket

DRAWING NO. LIF-16-16-F -CU

REVISION



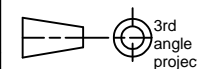
COMMENTS / NOTES

Cutout hatched area / holes on mounting plate.

MAC-PANEL

WWW.MACPANEL.COM

DRAWN BY DATE 18/08/2008



SHEET 2 OF 2

DESCRIPTION

DRAWING NO.

-CU

REVISION