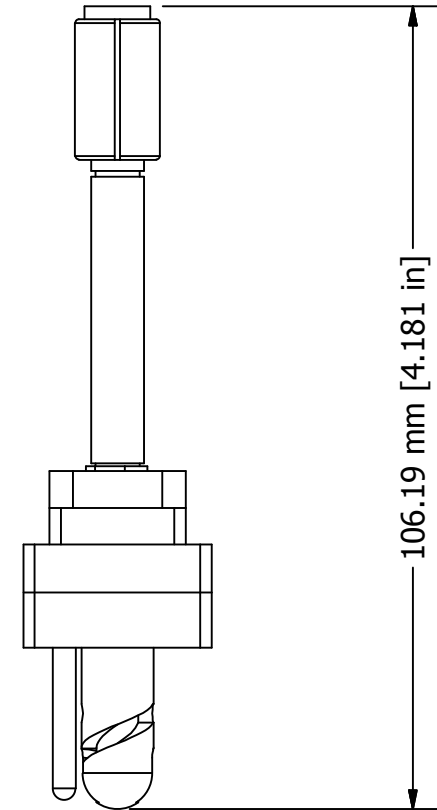
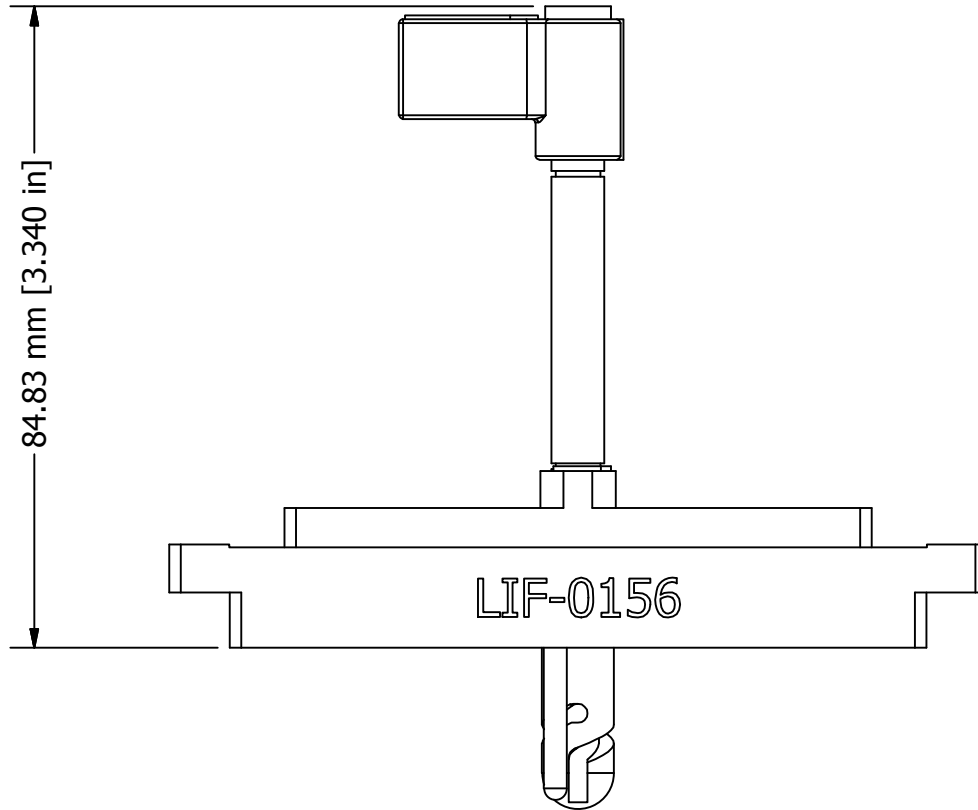
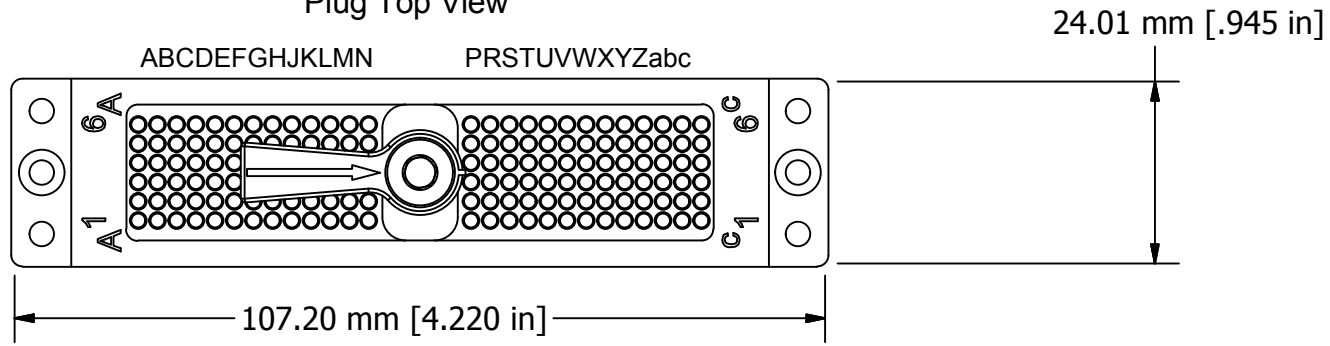


Plug Top View



COMMENTS / NOTES

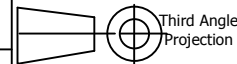
Overall View

MAC-PANEL

WWW.MACPANEL.COM

DRAWN BY  
shodnett

DATE  
10/16/2013



DESCRIPTION

Plug, Male, 156 Way, LIF

SHEET  
1 OF 1

DRAWING NO.

LIF-0156-M-CU

REVISION

C