

Socket Rear View.

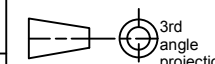
COMMENTS / NOTES

See sheet 2 for cutout dimensions.



WWW.MACPANEL.COM

DRAWN BY DATE 18/08/2008



SHEET 1 OF 2

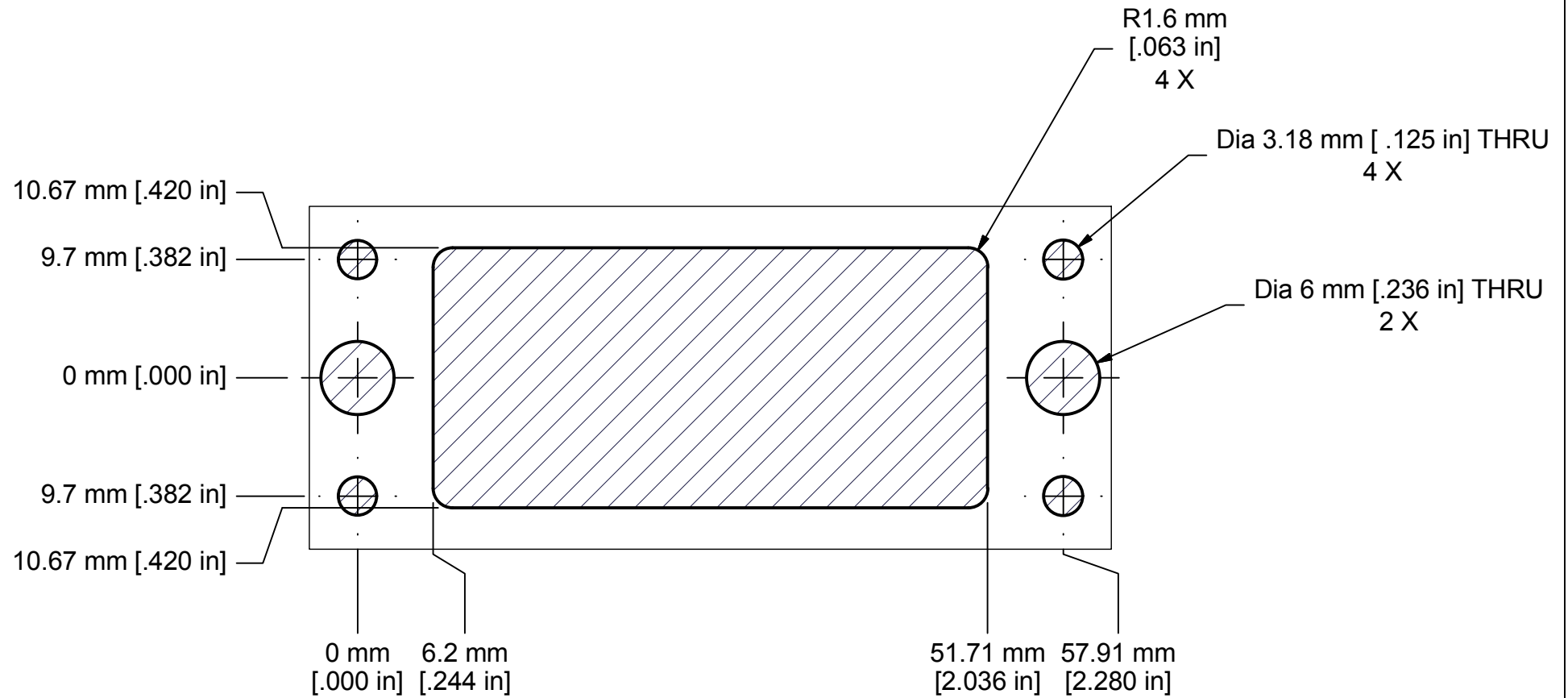
DESCRIPTION

Socket, Female, 96 Way, LIF

DRAWING NO. REVISION

LIF-0096-F-CU

A



COMMENTS / NOTES

Cutout hatched area / holes on mounting plate.

MACPANEL

WWW.MACPANEL.COM

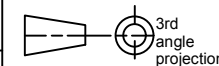
DRAWN BY

DATE

18/08/2008

DESCRIPTION

CUTOUT AREA
FOR LIF-0096-F



DRAWING NO.

-CU

REVISION

A

SHEET

2 OF 2