

Procedure sheet.

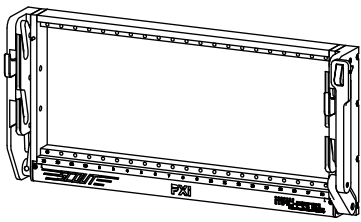
IN 91319

Procedure for securing a MAC Panel SCOUT Receiver to a
ADLink PXIS2719 or Pickering 40-923-001 PXI Chassis
via a #561196 MAC Panel Flange Kit.

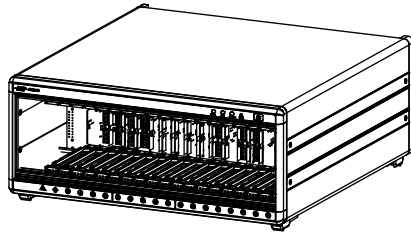
You will need :

- MAC Panel SCOUT Receiver (21 slot or XT)
- ADLink PXIS2719 or Pickering 40-923-001 PXI Chassis
- # 561196 Flange Kit
- #1 & #2 Philips Screwdrivers (Chassis dependent)

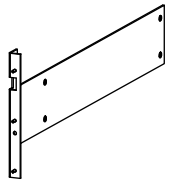
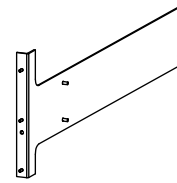
Used in this example :



SCOUT Receiver
(561000 shown)

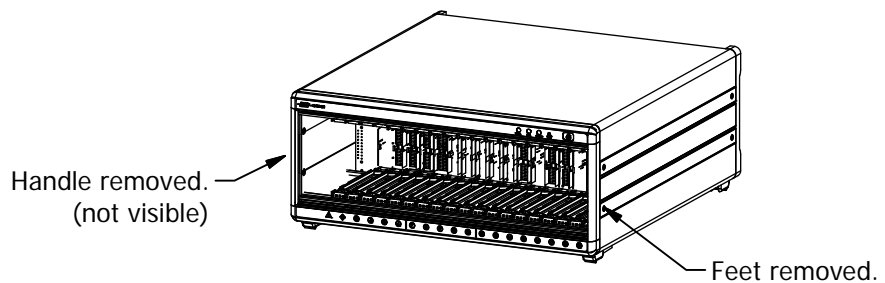


PXI Chassis
(Pickering 40-923-001 shown)



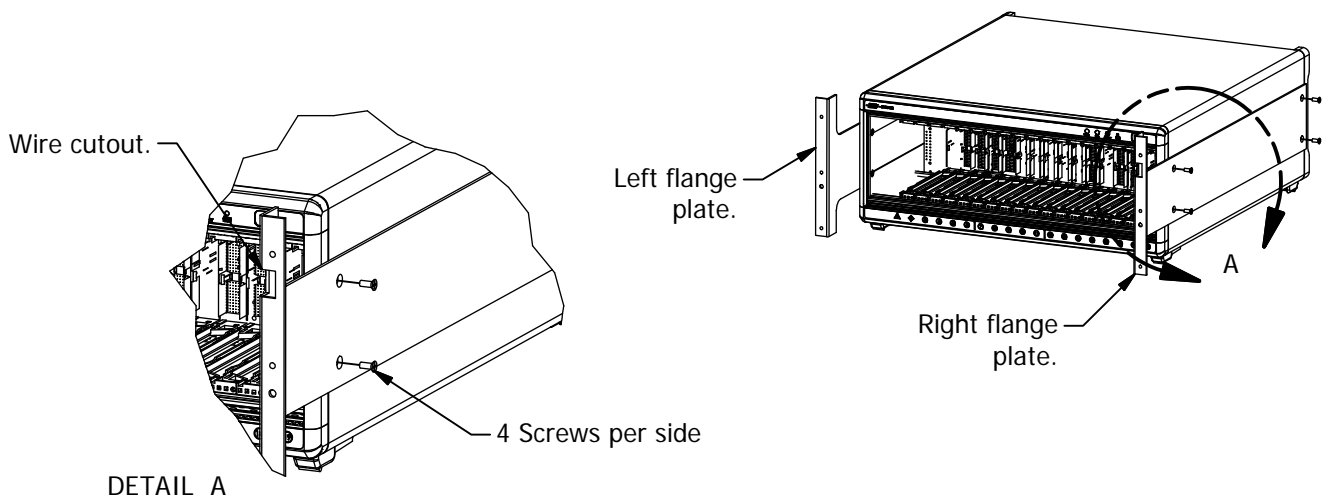
Flange kit to suit
(#561196)

Step 1) Remove any feet or handles from both sides
of the chassis that may interfere with the flange plates.



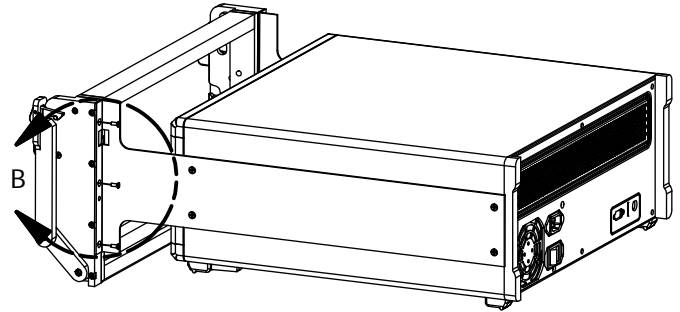
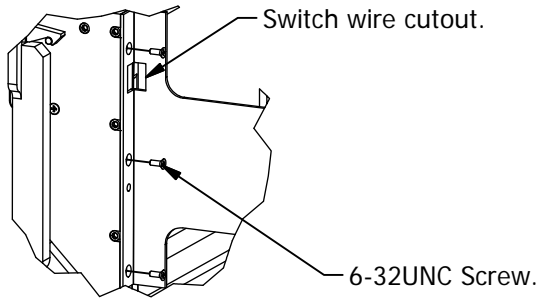
Step 2) Using the screws provided with the flange kit,
Secure both left and right flange plates to the side of the chassis.

* *Note the wire cutout position in the right flange plate* *



Step 3) Using the 6 x 6-32UNC countersunk screws provided with the flange kit, secure the SCOUT Receiver to the Flange plates.

** Ensure Receiver Micro-Switch wires are passed through the switch wire cutout in the flange plate **



DETAIL B
(screws same both sides)

Your SCOUT Receiver / PXI Chassis are now accurately secured together and ready to be mounted into a 19" rack using a shelf assembly to support the weight of the chassis.

