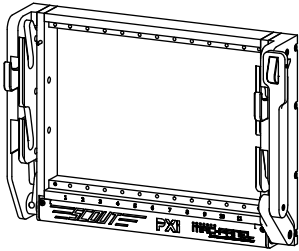


Procedure for securing a MAC Panel SCOUT Receiver to a National Instruments PXI Chassis via a #561060 MAC Panel Flange Kit.

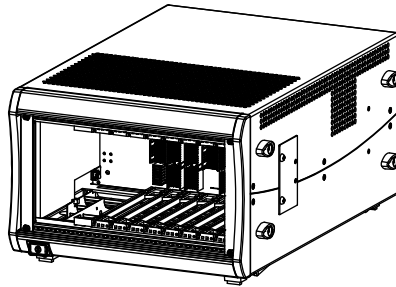
You will need :

- MAC Panel SCOUT Receiver # 561057
- NI PXI Chassis (NI PXI-1042, PXIe-1062q, PXIe-1082)
- # 561060 Flange Kit
- #1 & #2 Philips Screwdrivers (Chassis dependent)

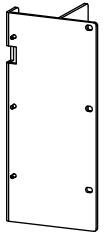
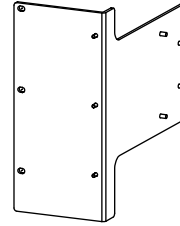
Used in this example :



SCOUT Receiver
(#561057)

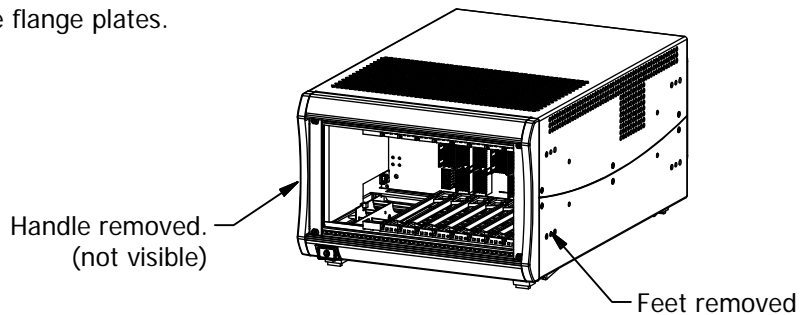


PXI Chassis
(NI PXIe-1062q shown)



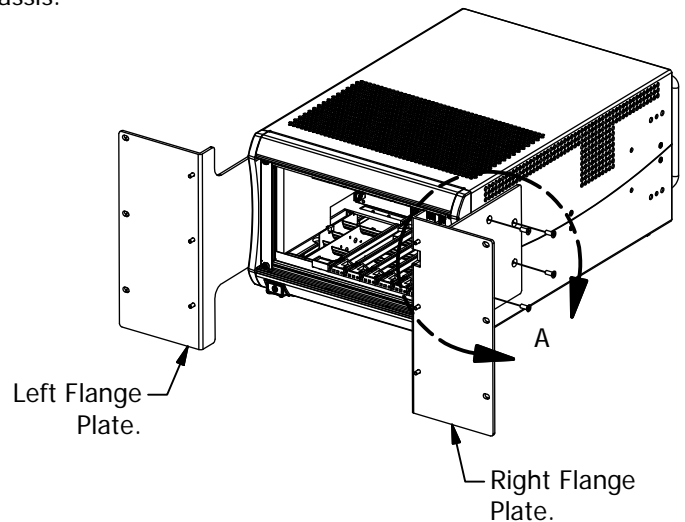
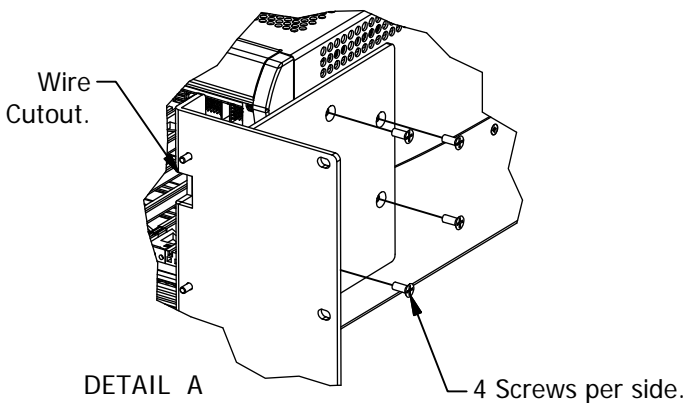
Flange kit to suit
(#561060 shown)

Step 1) Remove any feet or handles from both sides of the chassis that may interfere with the flange plates.



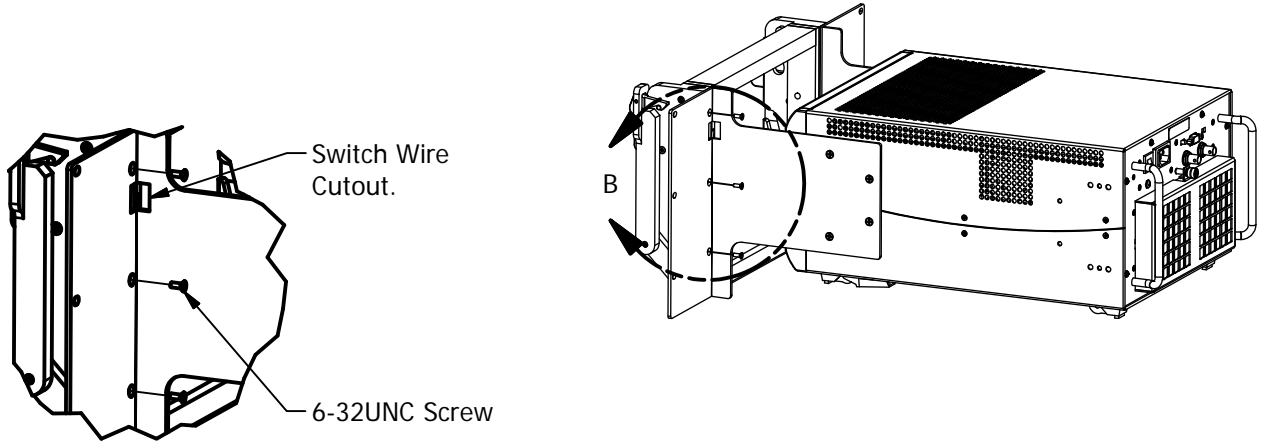
Step 2) Using the screws provided with the flange kit, Secure both left and right flange plates to the side of the chassis.

* Note the wire cutout position in the right flange plate *



Step 3) Using the 6 x 6-32UNC countersunk screws provided with the flange kit, secure the SCOUT Receiver to the Flange plates.

** Ensure Receiver Micro-Switch wires are passed through the switch wire cutout in the flange plate **



DETAIL B
(screws same both sides)

Your SCOUT Receiver / PXI Chassis are now accurately secured together and ready to be mounted into a 19" rack using a shelf assembly to support the weight of the chassis.

