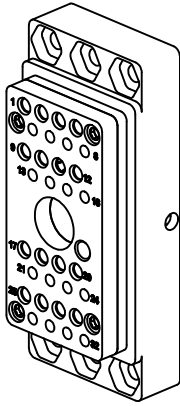


# Procedure sheet.

IN 91314

Procedure for removing Micro-Power and Micro-Coax contacts from Hybrid LIF sockets.

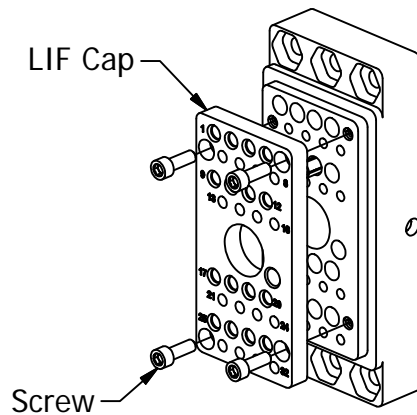


Hybrid LIF Socket  
(LIF-16-16-F shown)

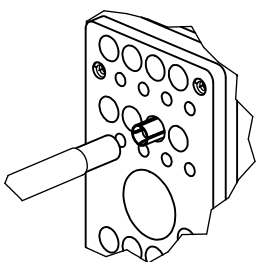


Power/Coax contact  
Extraction tool  
(412639)

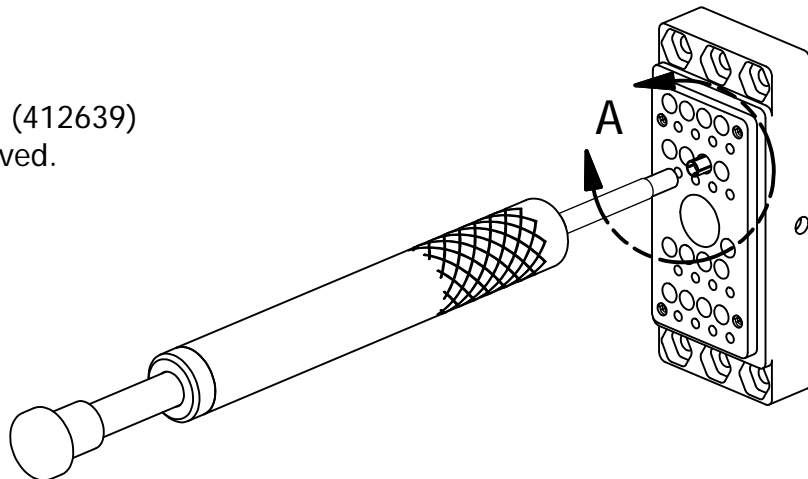
Step 1) Using  $\frac{5}{64}$  Hex Key, remove the cap securing screws. LIF Cap can now be lifted off contacts.



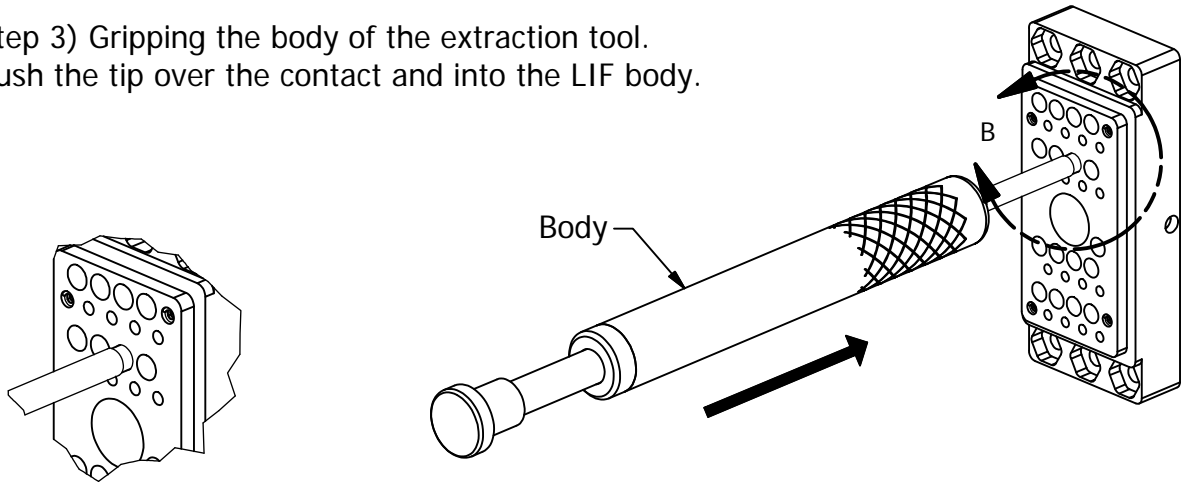
Step 2) Align extraction tool (412639) with the contact to be removed.



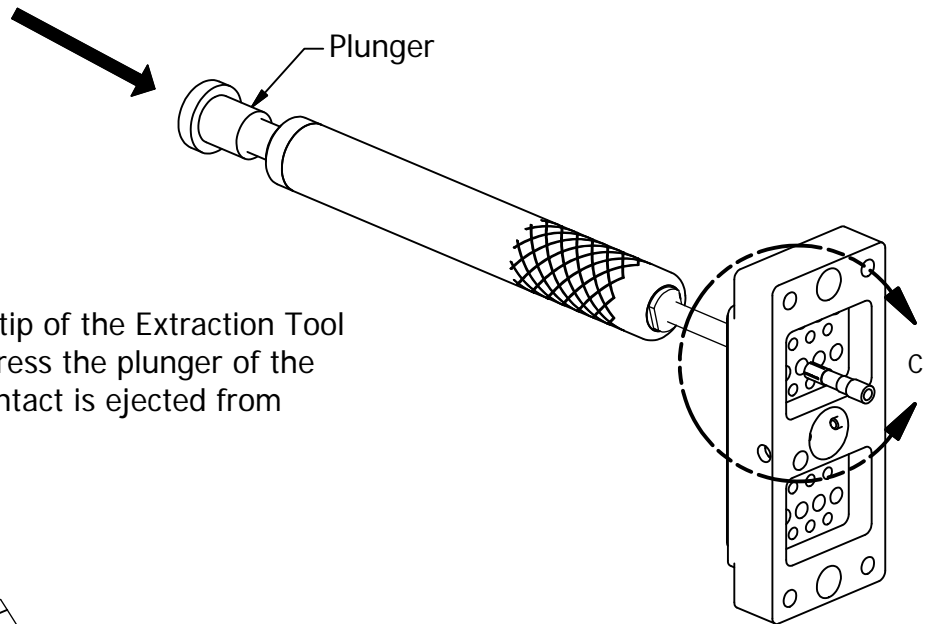
DETAIL A



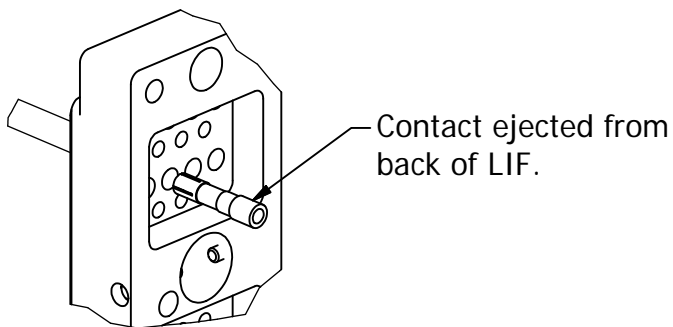
Step 3) Gripping the body of the extraction tool.  
Push the tip over the contact and into the LIF body.



DETAIL B



Step 4) Whilst keeping the tip of the Extraction Tool  
in the body of the LIF, Depress the plunger of the  
Extraction Tool until the contact is ejected from  
the back of the LIF.



DETAIL C