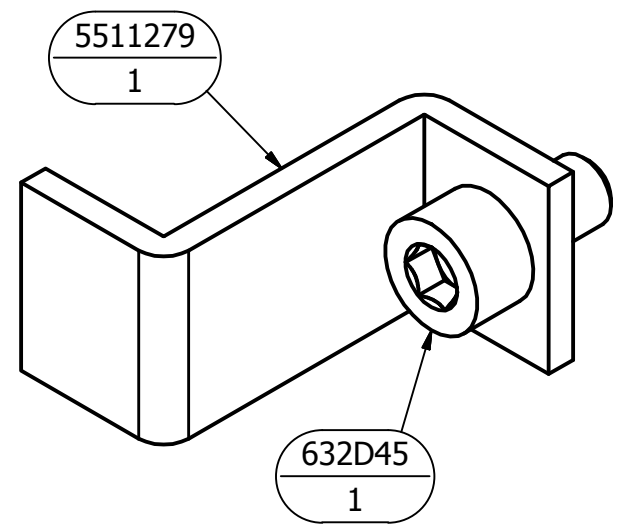
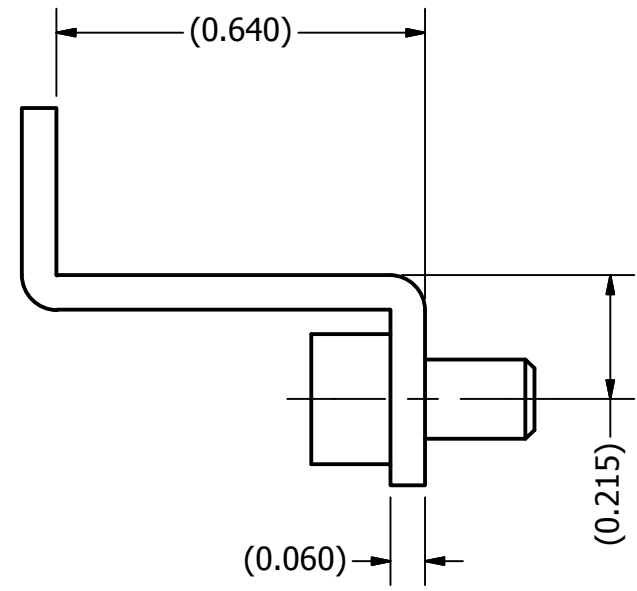
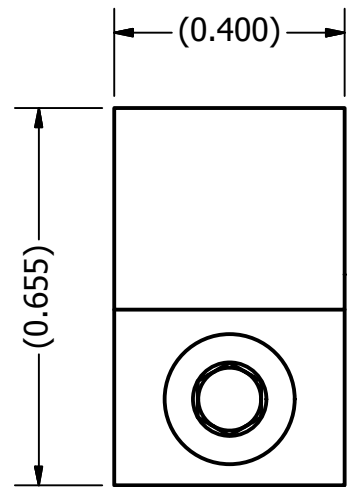


8 7 6 5 4 3 2 1

NOTES:  
 1. BAG AND TAG ALL PARTS.  
 2. USE WITH P/N 7853109-01



**BALLOON LEGEND**

PART NUMBER
QTY

TOLERANCES (UNLESS OTHERWISE SPECIFIED)

SHEET METAL	MACHINED
ANGLES ± 1'	ANGLES ± 1'
.XX ± .03	.XX ± .01
.XXX ± .010	.XXX ± .005
.XXXX ± .0005	.XXXX ± .0005

REMOVE ALL BURRS AND BREAK SHARP EDGES.

Third Angle Projection

DRAWN BY	
ENGINEERING	
OPERATIONS	11/05/2007
MANUFACTURING	
ASSEMBLY	
MATERIAL USED	-

MAC PANEL COMPANY - HIGH POINT, NC		
TITLE		
STRAIN RELIEF CLIP ASSY,ITA,96 HDI HEADER (FOR 7853109-01)		
SIZE	DWG NO	REV
B	753001SR-14-CU	A
SCALE 1/1	SPN: SIMILAR P/N	SHEET 1 OF 1

8 7 6 5 4 3 2 1