

Socket Rear View

COMMENTS / NOTES

Comes supplied with 260 x 5512225 contacts installed.

MACPANEL

WWW.MACPANEL.COM

DRAWN BY  
DBC

DATE  
21/11/2013

DESCRIPTION

Socket, Female, 260 Way, LIF for PCB,  
populated with contacts.



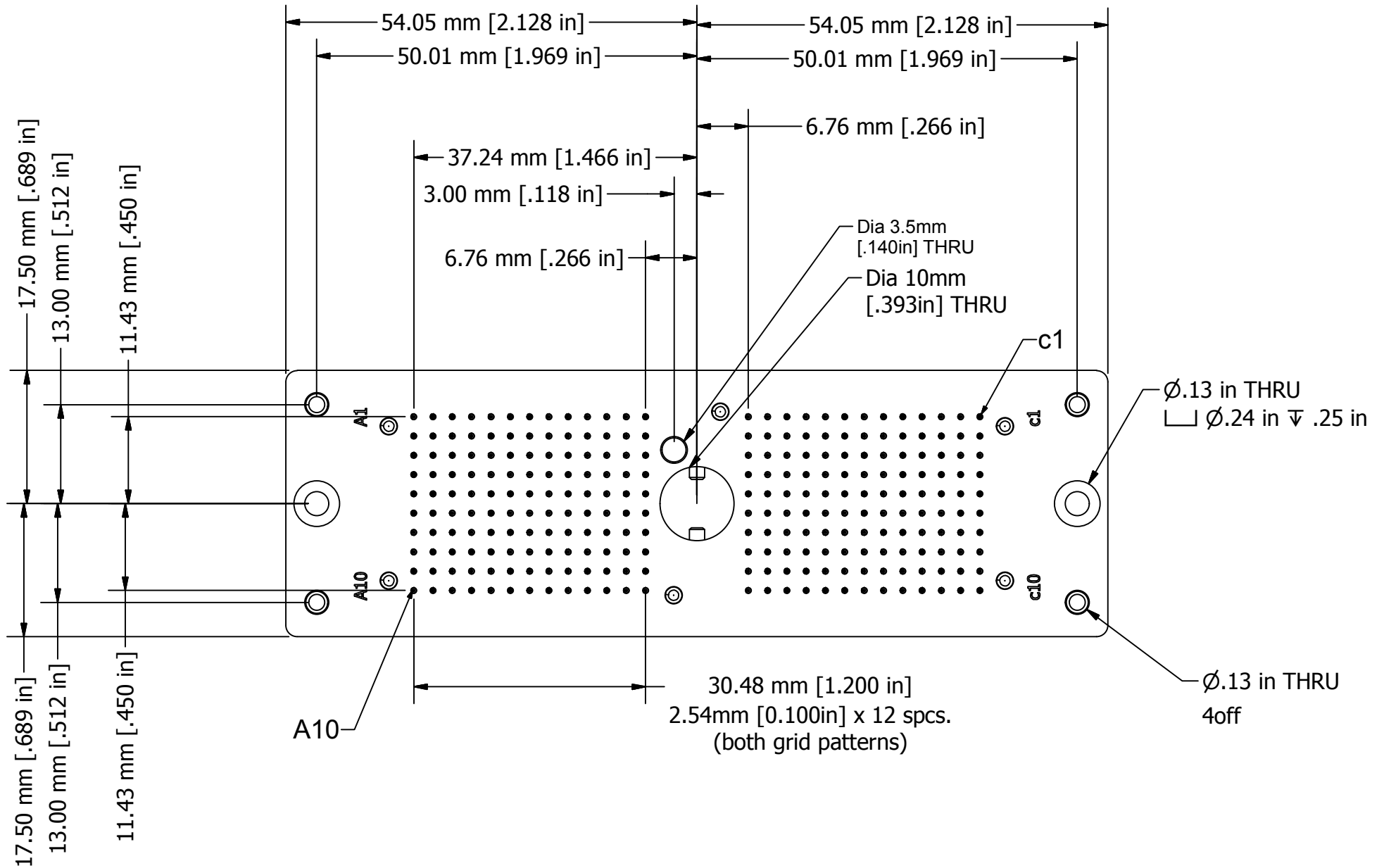
DRAWING NO.

563507-CU

REVISION

D

SHEET  
1 OF 3



COMMENTS / NOTES

LIF socket to be secured to this face PCB layout to suit 563507 when A1 and c10 in the shown positions.

MAC-PANEL

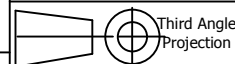
WWW.MACPANEL.COM

DRAWN BY  
DBC

DATE  
21/11/2013

DESCRIPTION

PCB layout to suit 563507



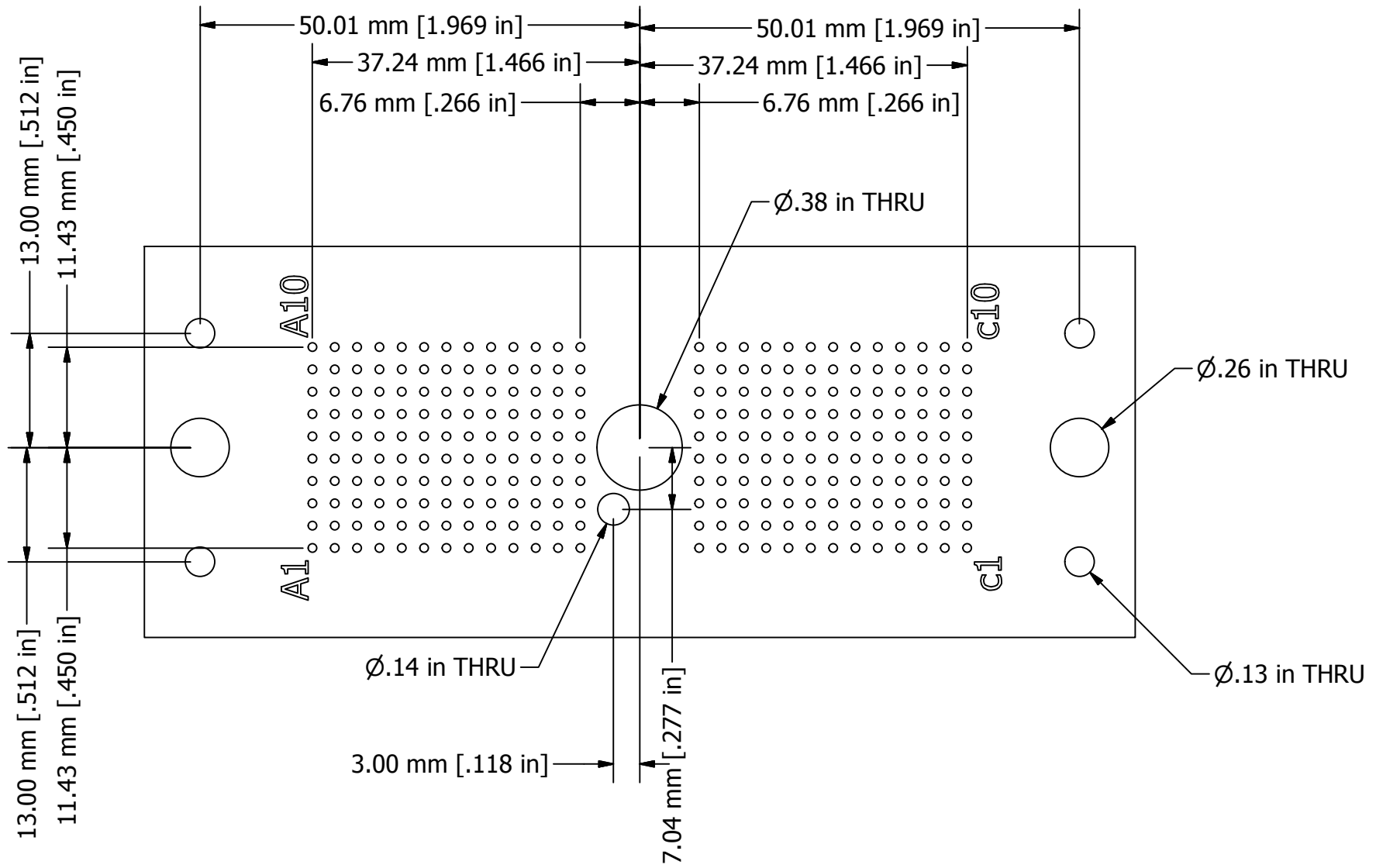
DRAWING NO.

563507-CU

REVISION

D

SHEET  
2 OF 3



COMMENTS / NOTES  
View shown mates with base of 563507

MACPANEL

WWW.MACPANEL.COM

DRAWN BY  
DBC

DATE  
21/11/2013

DESCRIPTION

APEX\_260\_PCB\_Example



DRAWING NO.

LIF\_0260\_PCB\_Example-A-C0

REVISION

SHEET  
3 OF 3