

Socket Rear View

COMMENTS / NOTES

Comes supplied with 156 x 5512225 contacts installed.

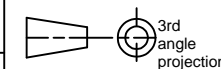
MAC-PANEL

WWW.MACPANEL.COM

DRAWN BY

DATE

10/03/2010



SHEET

1 OF 2

DESCRIPTION

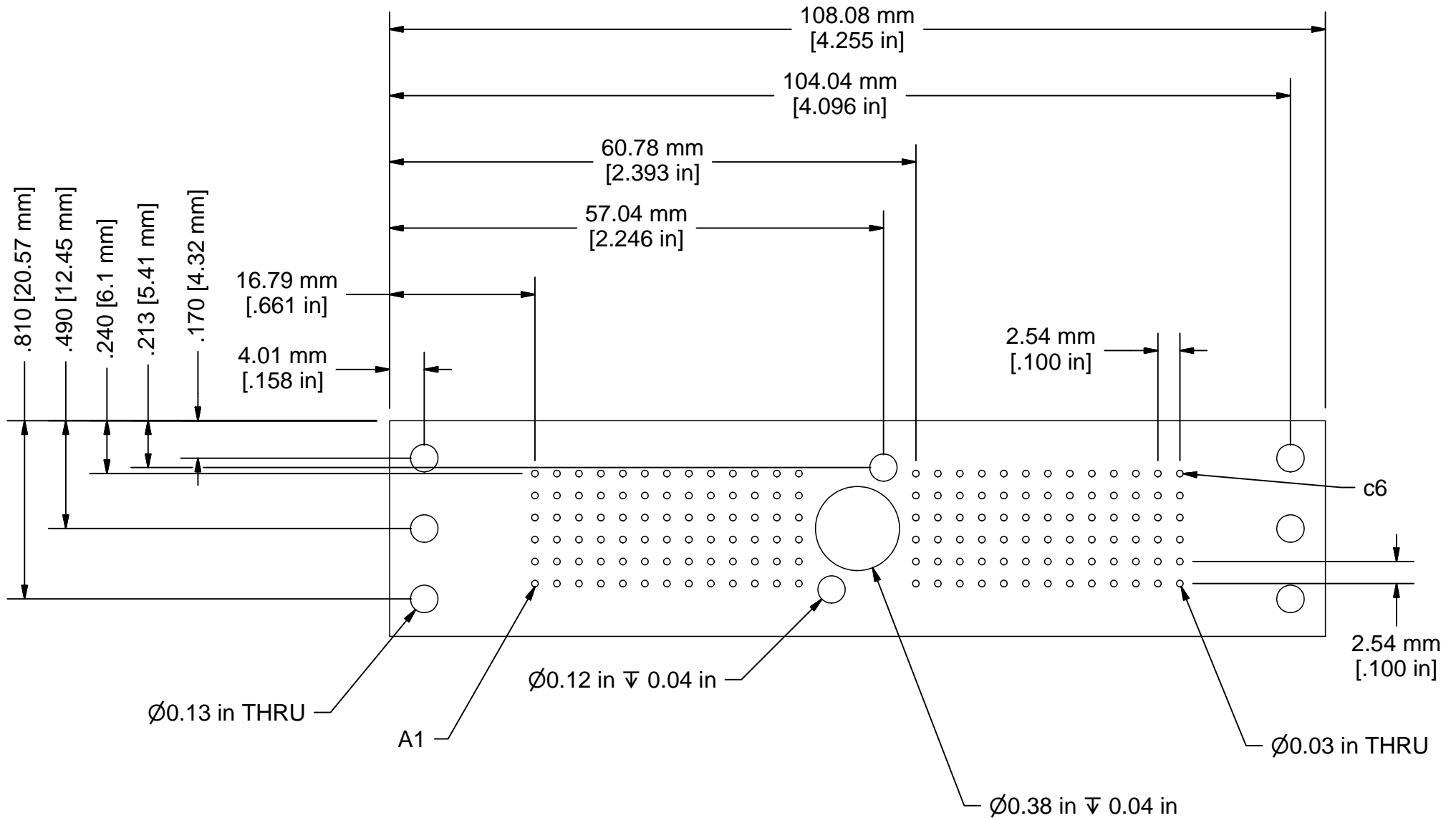
Socket, Female, 156 Way,
LIF for PCB, populated with contacts.

DRAWING NO.

563506-CU

REVISION

D



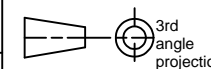
COMMENTS / NOTES

LIF socket to be secured to this face when A1 and c6 in the shown positions.

○○○○○○○
MAC-PANEL

WWW.MACPANEL.COM

DRAWN BY DATE
 10/03/2010



SHEET 2 OF 2

DESCRIPTION

PCB layout to suit 563506

DRAWING NO. REVISION

LIF 156 PCB Layout-CU D