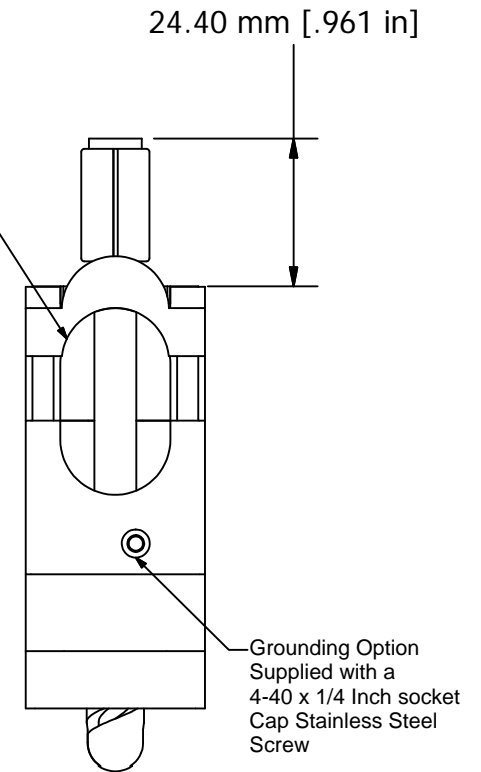


Max Cable Bundle Diameter is 1 Inch / 25.4mm



COMMENTS / NOTES  
Overall View

MAC-PANEL

WWW.MACPANEL.COM

DRAWN BY  
shodnett

DATE  
05/03/2014

DESCRIPTION

APEX, Plug, 156 Position, Crimp



DRAWING NO.

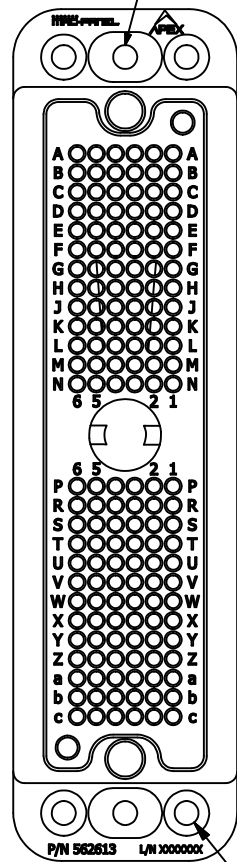
562613-CU

REVISION

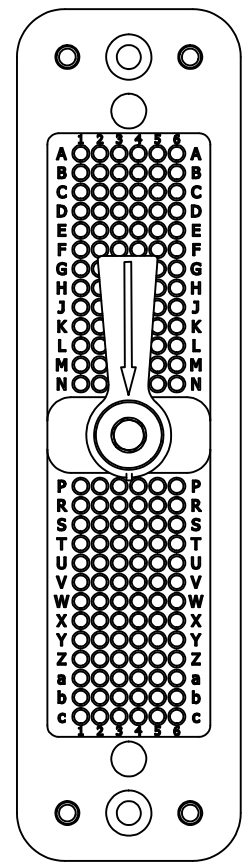
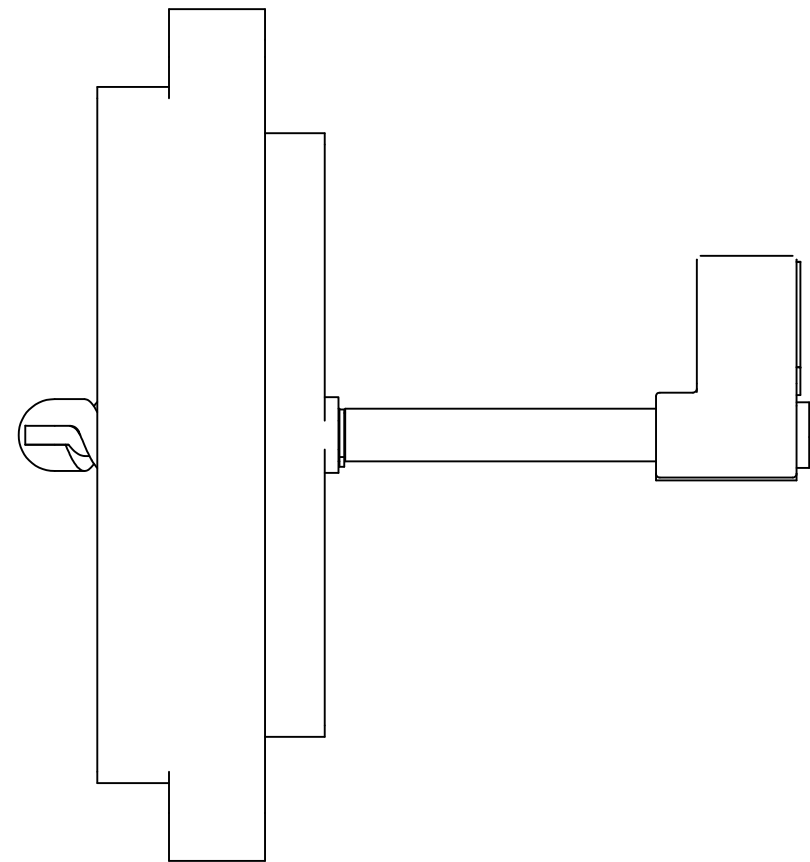
B

SHEET  
1 OF 3

Location for Polarizing Post  
use partnumber 561164



Ø.13 in THRU

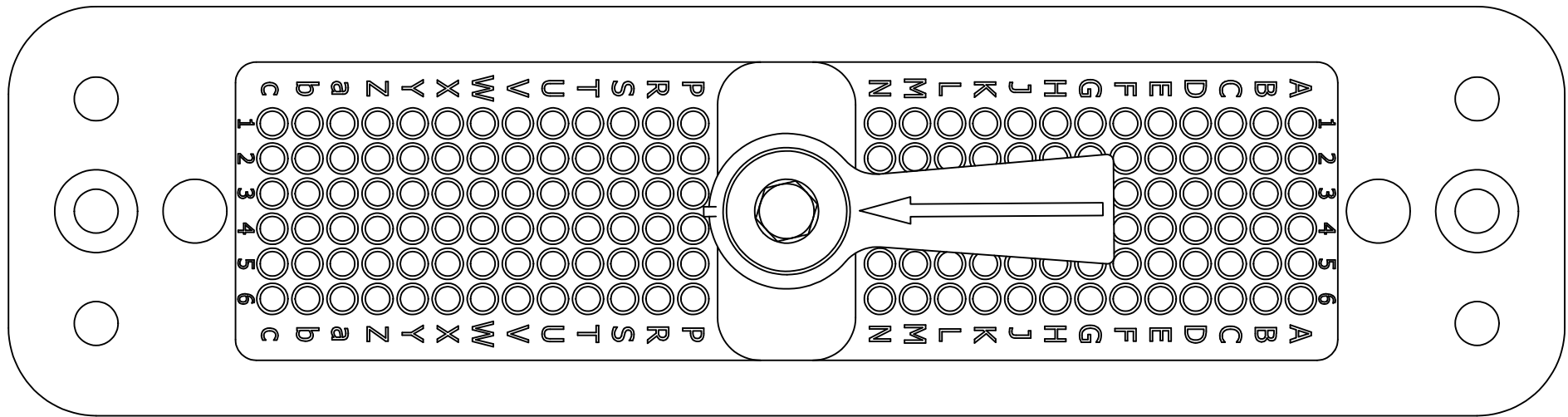


COMMENTS / NOTES  
Backshell removed for clarity.

MAC-PANEL  
WWW.MACPANEL.COM

DRAWN BY  
shodnett  
DATE  
05/03/2014  
Third Angle  
Projection  
SHEET  
2 OF 3

DESCRIPTION  
APEX, Plug, 156 Position, Crimp  
DRAWING NO.  
562613-CU  
REVISION  
B



COMMENTS / NOTES

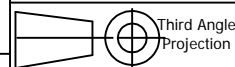
View to show pin numbering  
View is from Wiring side.



WWW.MACPANEL.COM

DRAWN BY  
shodnett

DATE  
05/03/2014



SHEET  
3 OF 3

DESCRIPTION

APEX, Plug, 156 Position, Crimp

DRAWING NO.

562613-CU

REVISION

B