

COMMENTS / NOTES

Overall View
 Not all contacts shown for clarity.
 Supplied with 260off 562152 contacts installed.



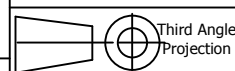
WWW.MACPANEL.COM

DRAWN BY
 davecooper

DATE
 04/08/2015

DESCRIPTION

APEX, Socket, 260 Position, PCB



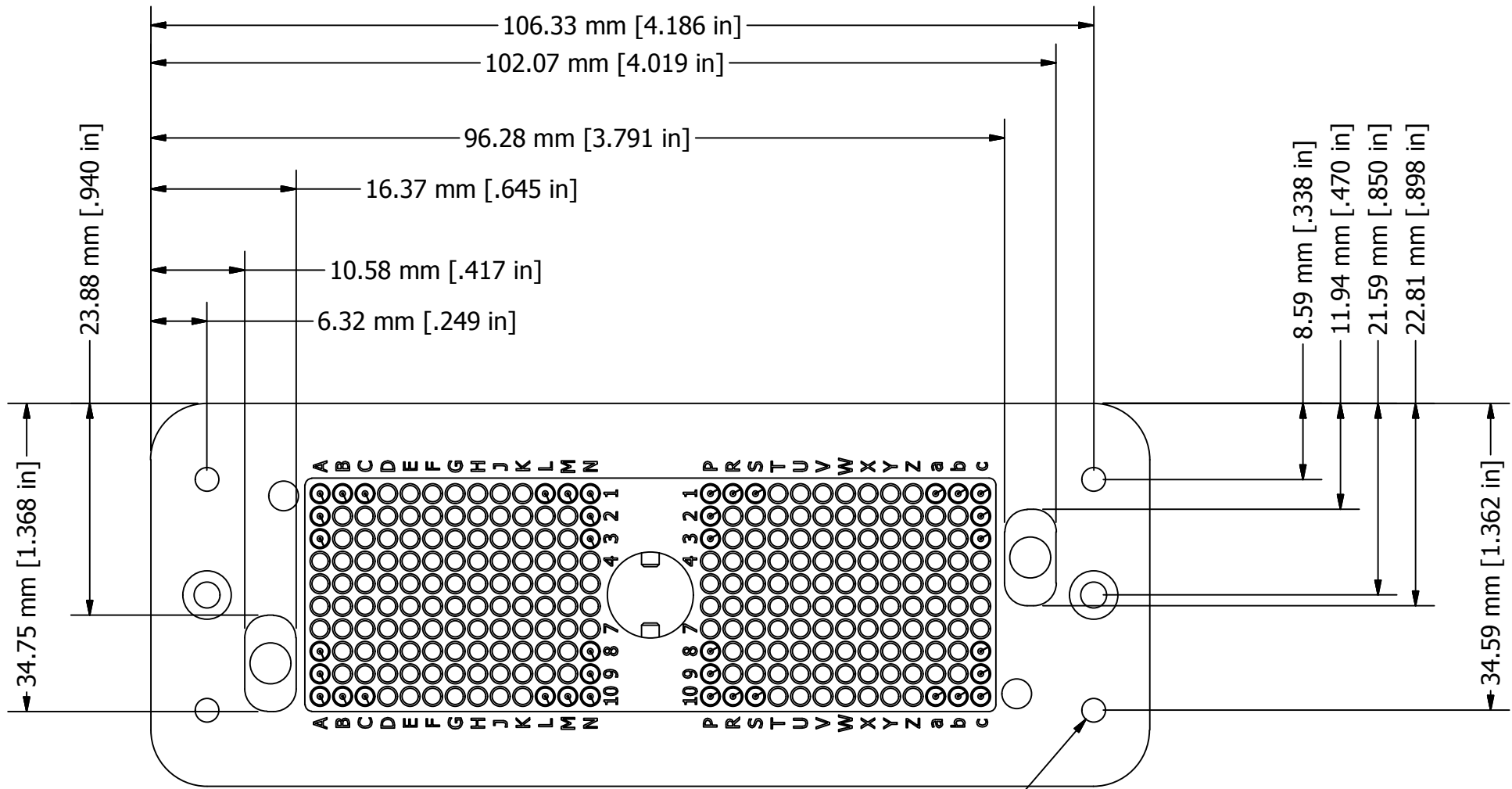
SHEET
 1 OF 4

DRAWING NO.

562333-CU

REVISION

C



6-32 UNC - 2B 4off

COMMENTS / NOTES

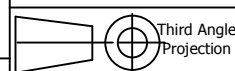
View to show Numbering of contact positions from back of APEX module, Also dimensions of mounting holes and clearance for Grounding lugs.



WWW.MACPANEL.COM

DRAWN BY
davecooper

DATE
04/08/2015



SHEET
2 OF 4

DESCRIPTION

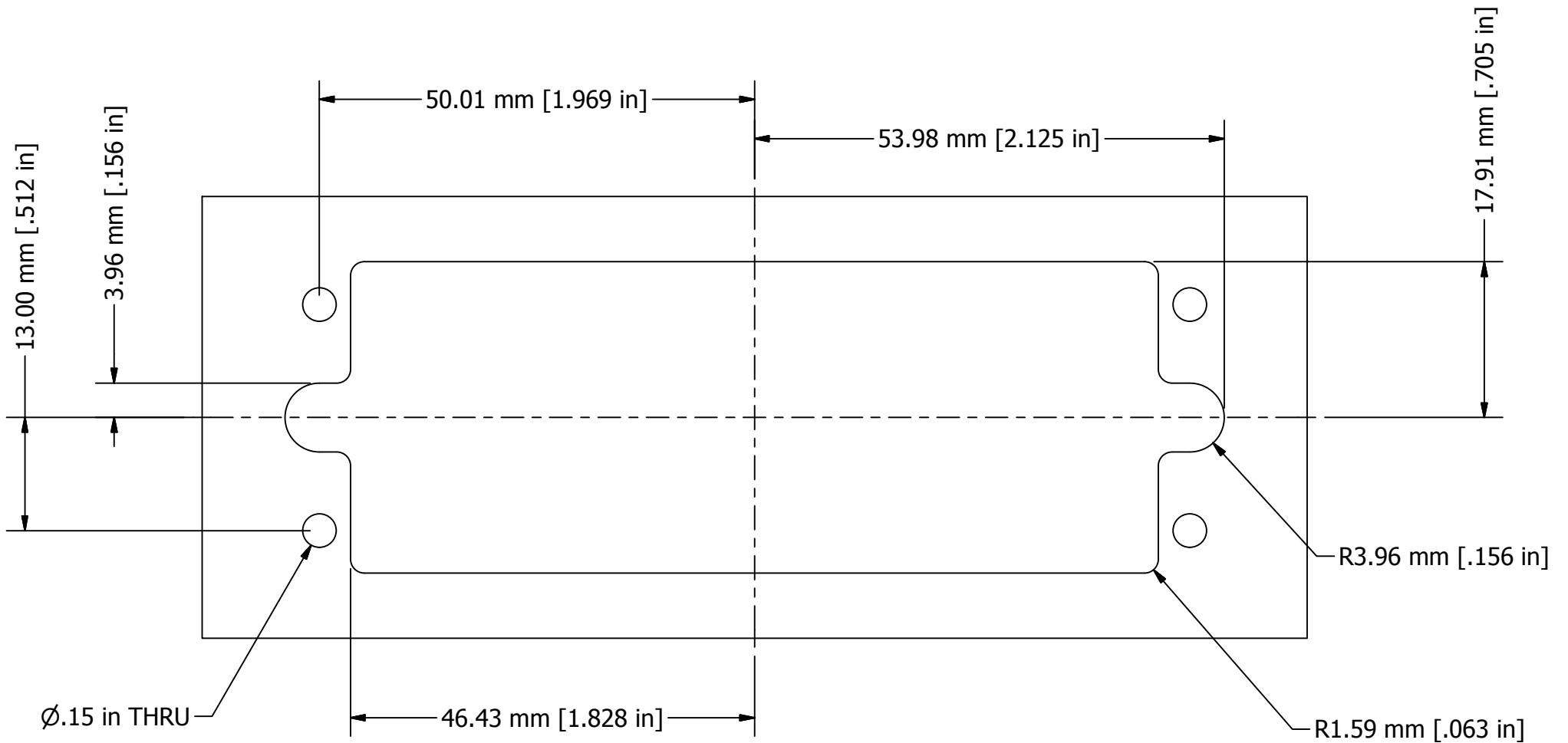
APEX, Socket, 260 Position, PCB

DRAWING NO.

562333-CU

REVISION

C



COMMENTS / NOTES

Suggested cut out to suit APEX 260 mounting in a plate.

MACPANEL

WWW.MACPANEL.COM

DRAWN BY
davecooper

DATE
04/08/2015



Third Angle
Projection

DESCRIPTION

APEX, Socket, 260 Position, PCB

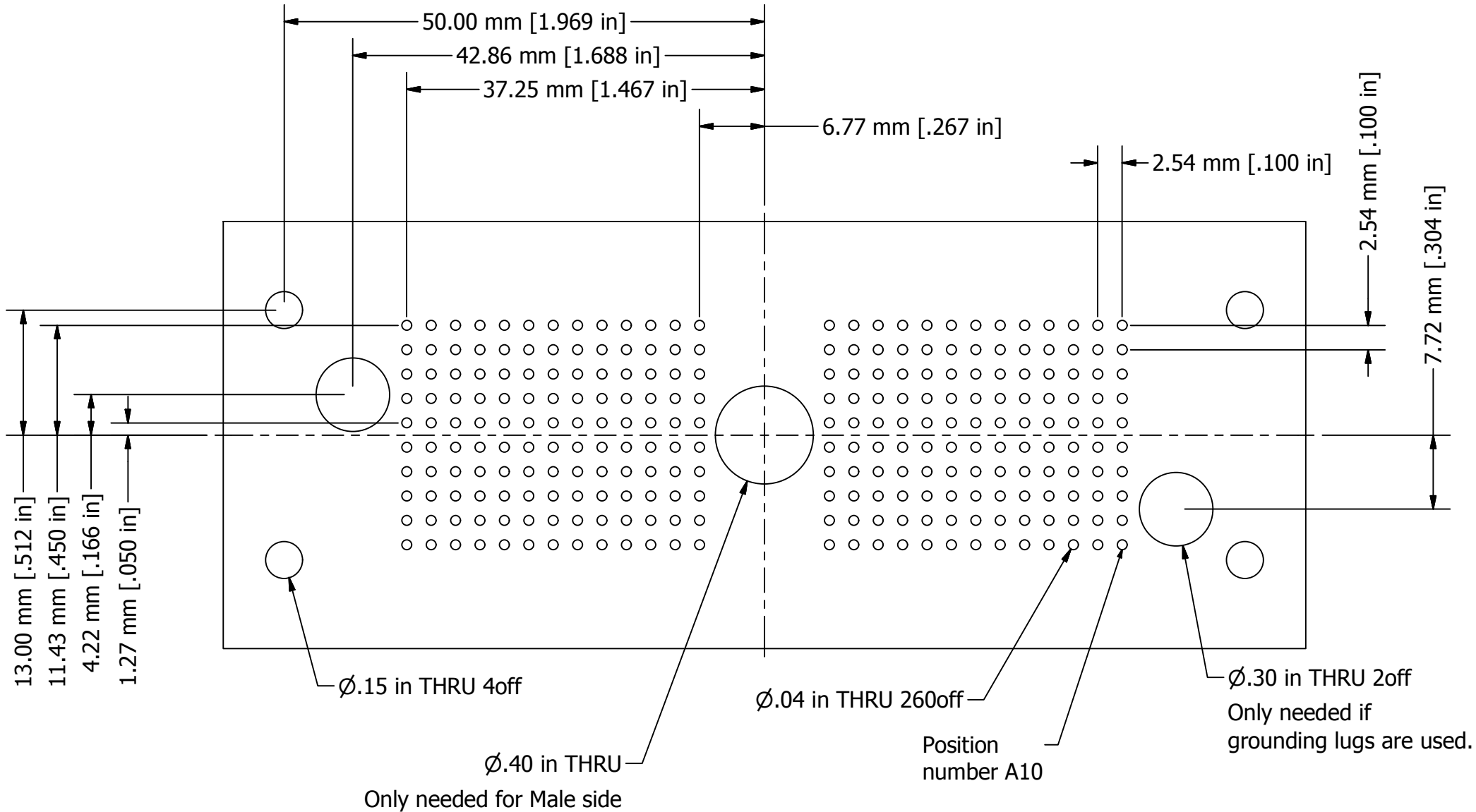
DRAWING NO.

APEX-LIF-260-Cutout-CU

REVISION

C

SHEET
3 OF 4



COMMENTS / NOTES

Hole Layout for PCB holes
View is component side if used with 562333



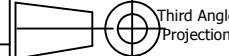
WWW.MACPANEL.COM

DRAWN BY
davecooper

DATE
04/08/2015

DESCRIPTION

APEX, Socket, 260 Position, PCB



SHEET
4 OF 4

DRAWING NO.

APEX_260_PCB-A-CU

REVISION

C