

MATING FACE VIEW

COMMENTS / NOTES

Overall View
 Not all contacts shown for clarity.
 Supplied with 260off 563701 contacts and
 2off 562894 installed.



WWW.MACPANEL.COM

DRAWN BY
 davecooper

DATE
 04/08/2015

DESCRIPTION

APEX, Plug, 260 Position, PCB, with
 Ground



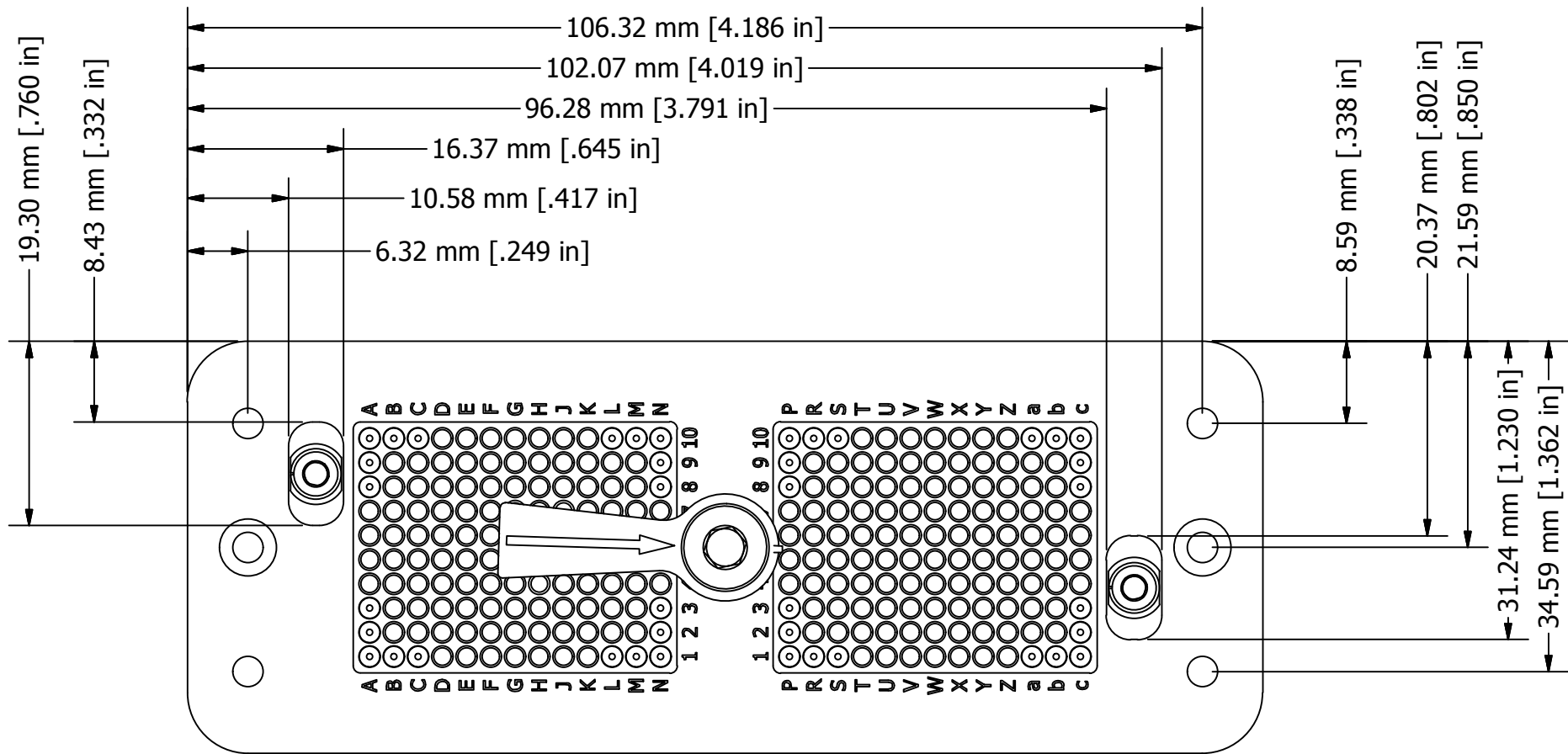
SHEET
 1 OF 4

DRAWING NO.

562231-CU-CU

REVISION

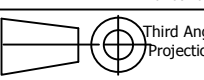
B



COMMENTS / NOTES

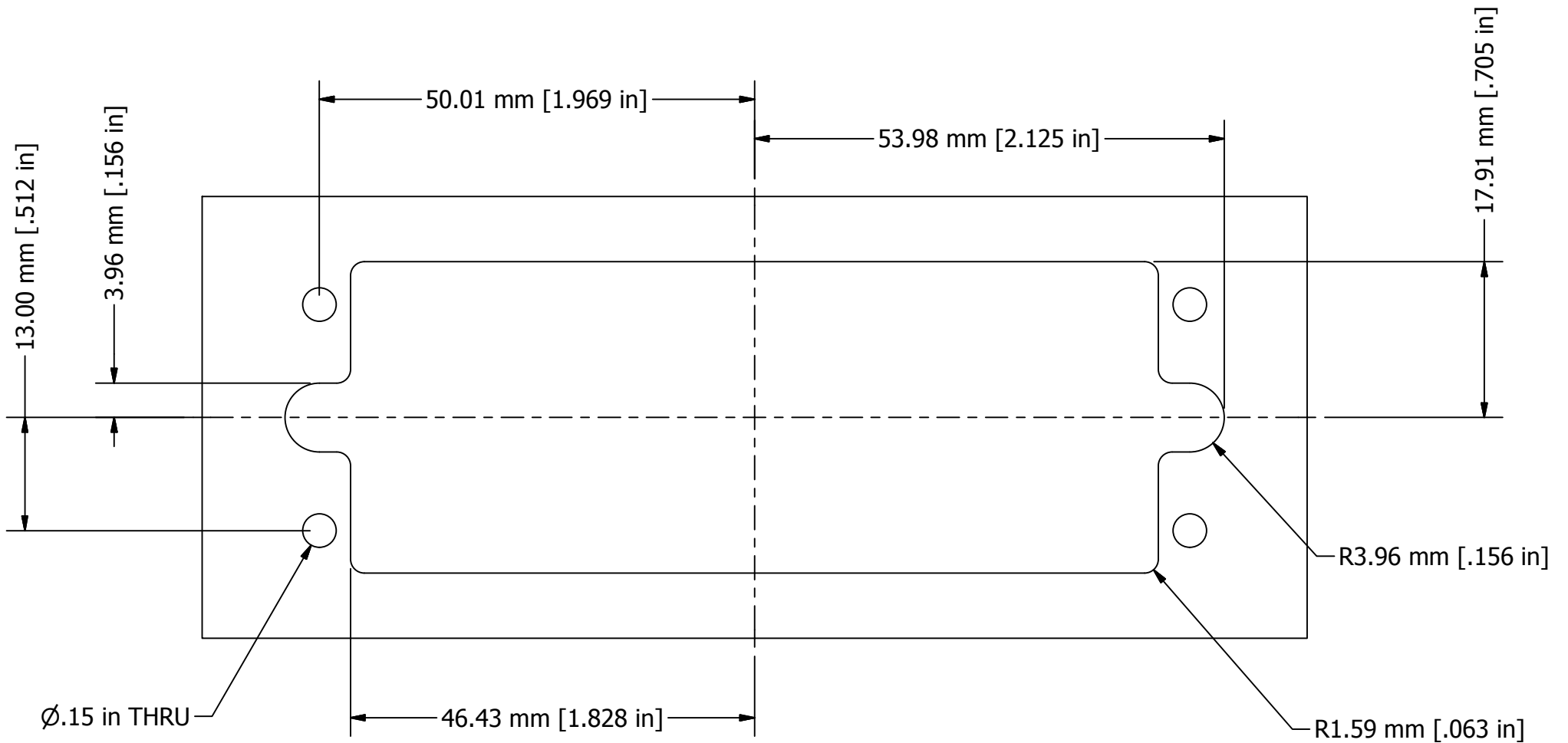
View to show Numbering of contact positions from back of APEX module, Also dimensions of mounting holes and clearance for Grounding lugs.


 WWW.MACPANEL.COM

DRAWN BY
 davecooper
 DATE
 04/08/2015

 Third Angle
 Projection
 SHEET
 2 OF 4

DESCRIPTION
 APEX, Plug, 260 Position, PCB, with
 Ground

DRAWING NO. 562231-CU-CU
 REVISION B



COMMENTS / NOTES

Suggested cut out to suit APEX 260 mounting in a plate.



WWW.MACPANEL.COM

DRAWN BY
davecooper

DATE
04/08/2015



SHEET
3 OF 4

DESCRIPTION

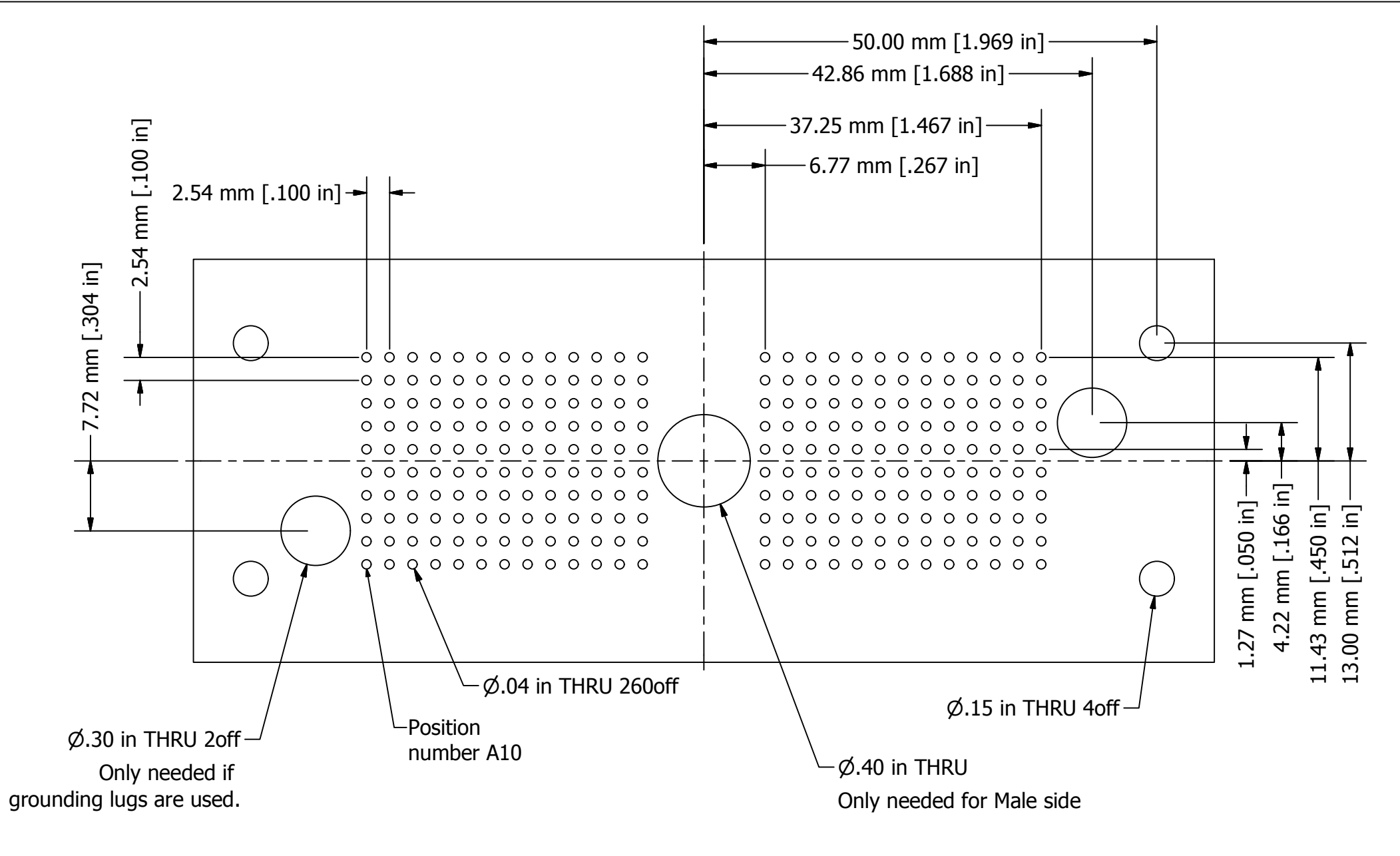
APEX, Plug, 260 Position, PCB, with Ground

DRAWING NO.

APEX-LIF-260-Cutout-CU

REVISION

B



COMMENTS / NOTES Hole Layout for PCB holes View is component side if used with 562231			DRAWN BY davecooper	DATE 04/08/2015	DESCRIPTION APEX, Plug, 260 Position, PCB, with Ground	
	WWW.MACPANEL.COM		Third Angle Projection		DRAWING NO. 260_PCB_Example-CU	REVISION B
			SHEET 4 OF 4			