

Grounding Option
 Supplied with a
 4-40 x 1/4 Inch Socket
 Cap Stainless Steel
 Screw.

MATING FACE VIEW

COMMENTS / NOTES

Overall View
 Max Cable Bundle Diameter is 1.25 inch/ 31.7mm

MAC-PANEL

WWW.MACPANEL.COM

DRAWN BY
 davecooper

DATE
 04/08/2015



SHEET
 1 OF 3

DESCRIPTION

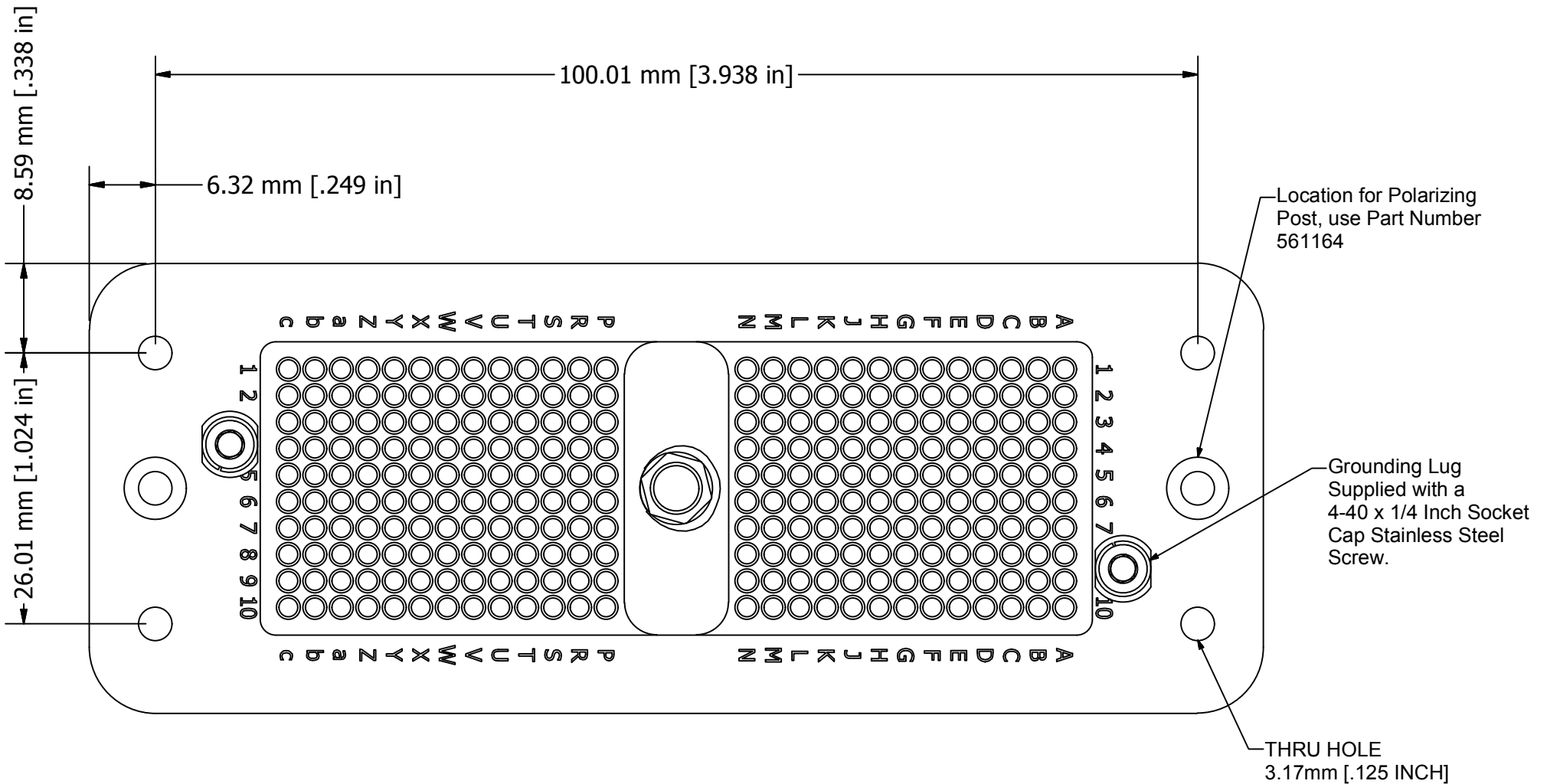
APEX, Plug, 260 Position, Crimp,
 With Ground

DRAWING NO.

562230-CU-CU

REVISION

B



COMMENTS / NOTES

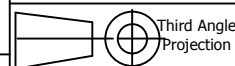
View to show numbering of contact positions from back of APEX module. Also dimensions of mounting holes. Back shell removed for clarity.

MAC-PANEL

WWW.MACPANEL.COM

DRAWN BY
davecooper

DATE
04/08/2015



DESCRIPTION

APEX, Plug, 260 Position, Crimp, With Ground

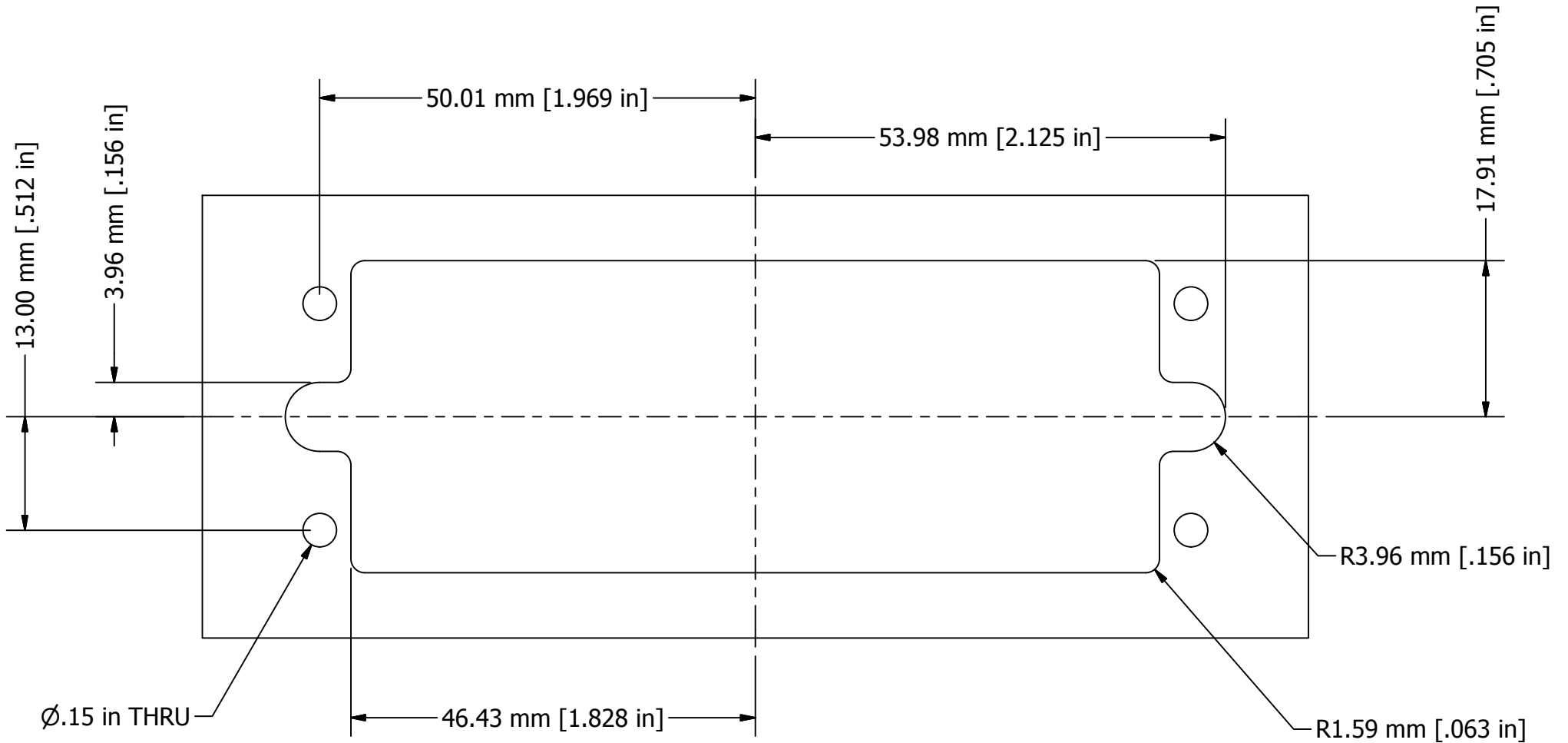
SHEET
2 OF 3

DRAWING NO.

562230-CU-CU

REVISION

B



COMMENTS / NOTES

Suggested cut out to suit APEX 260 mounting in a plate.



WWW.MACPANEL.COM

DRAWN BY
davecooper

DATE
04/08/2015



SHEET
3 OF 3

DESCRIPTION

APEX, Plug, 260 Position, Crimp, With Ground

DRAWING NO.

APEX-LIF-260-Cutout-CU

REVISION

B