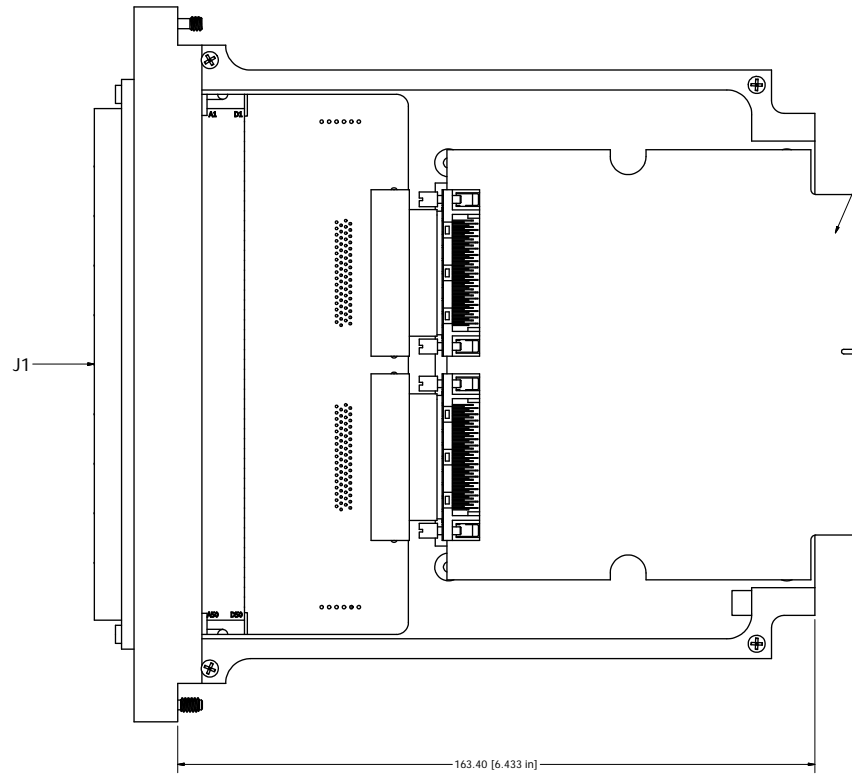
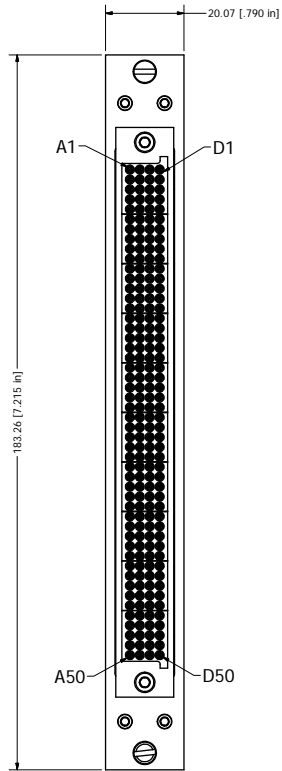
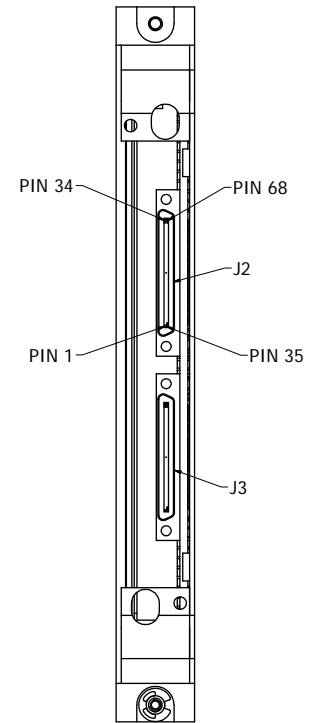


- NOTES:
1. USE INSTRUCTION SHEET IN91107 FOR ATTACHING DAK TO PXI CARD.
  2. RECEIVER/ITA MODULE TO BE KEYPED ON LEFT SIDE.
  3. MATING ITA MODULE P/N 561423.
  4. WIRE PER 561711XWL.
  5. BAG AND TAG 5211011 (2X), 632C#5 (4X).

REVISION HISTORY			
REV	DESCRIPTION	DATE	APPROVED
	RELEASE FOR PRODUCTION	04/06/2011	WH



SHOWN FOR REFERENCE ONLY,  
NOT INCLUDED IN ASSEMBLY



Shown with right plate removed for clarity.

BALLOON LEGEND	
	PART NUMBER
	QTY

MAC PANEL PROPRIETARY  
This document may contain confidential and proprietary information that is the property of MAC Panel Company that may not be disclosed to, or duplicated for others except as authorized by MAC Panel Company.

TOLERANCES (UNLESS OTHERWISE SPECIFIED)

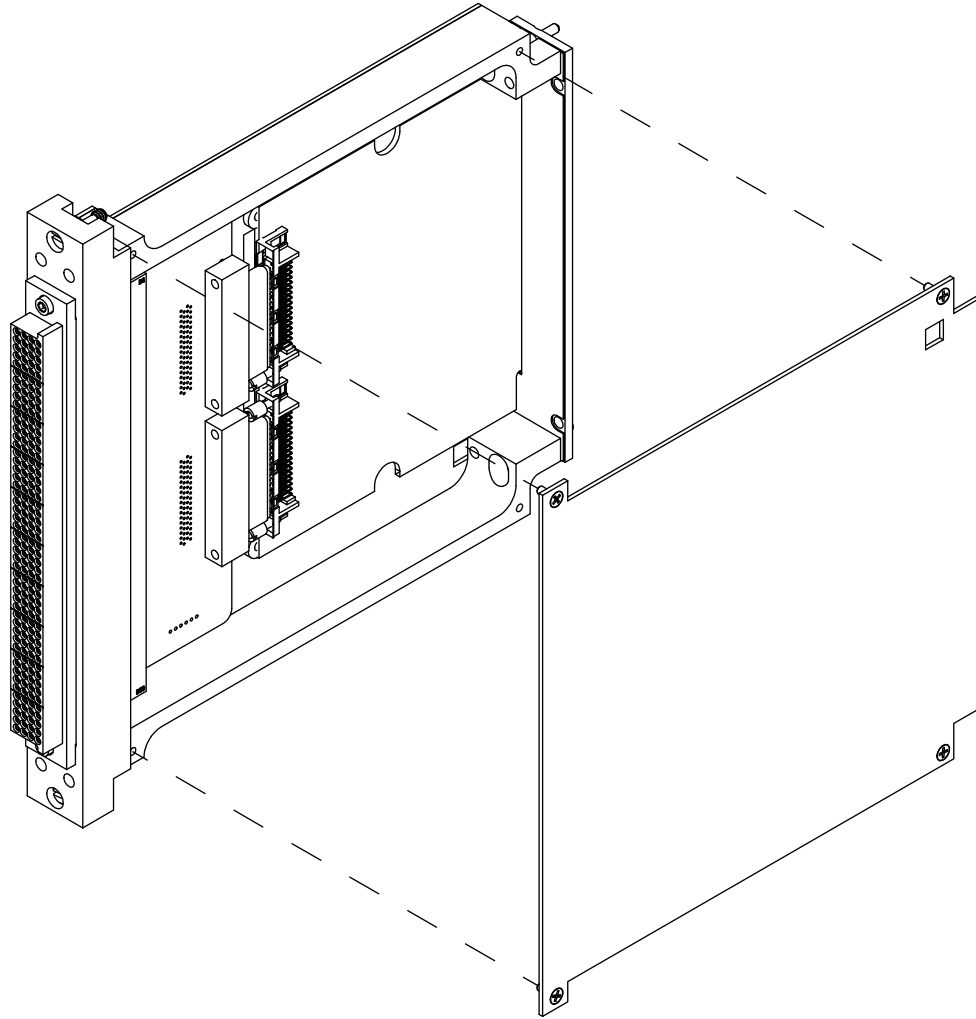
SHEET METAL	MACHINING
ANGLES ± 1°	ANGLES ± 1°
XX ± .03	XX ± .01
XXX ± .010	XXX ± .005
	XXX ± .0005

REMOVE ALL BURRS AND BREAK SHARP EDGES.

Third Angle Projection

DRAWN BY Wayne	3/16/2011	MAC PANEL COMPANY - HIGH POINT, NC
ENGINEERING GAC		TITLE
OPERATIONS		DAK ASSY, FLEX RIO, EXTENDED, (NI-6585)
MANUFACTURING R SPIVEY		SIZE
ASSEMBLY		DWG NO 561711X-cu
MATERIAL USED		REV
		D
	SCALE	SPN
		SHEET 1 OF 2

- NOTES:
1. USE INSTRUCTION SHEET IN91107 FOR ATTACHING DAK TO PXI CARD.
  2. RECEIVER/ITA MODULE TO BE KEYPED ON LEFT SIDE.
  3. MATING ITA MODULE P/N 561423.
  4. WIRE PER 561711XWL.
  5. BAG AND TAG 5211011 (2X), 632C#5 (4X).



**BALLOON LEGEND**

PART NUMBER
QTY

MAC PANEL PROPRIETARY  
 This document may contain confidential and proprietary information that is the property of MAC Panel Company that may not be disclosed to, or duplicated for others except as authorized by MAC Panel Company.

TOLERANCES (UNLESS OTHERWISE SPECIFIED)

SHEET METAL	MACHINING
ANGLES ± 1°	ANGLES ± 1°
XX ± .03	XX ± .01
XXX ± .010	XXX ± .005
	XXX ± .0005

REMOVE ALL BURRS AND BREAK SHARP EDGES.



DRAWN BY	3/16/2011
Wayne	
ENGINEERING	
GAC	
OPERATIONS	
MANUFACTURING	
R SPIVEY	
ASSEMBLY	
MATERIAL USED	

MAC PANEL COMPANY - HIGH POINT, NC	
TITLE	
DAK ASSY, FLEX RIO, EXTENDED, (NI-6585)	
SIZE	DWG NO
D	561711X-cu
SCALE	REV
SPN:	
SHEET 2 OF 2	

J1	J2		J1	J2		J1	J2		J1	J2	
A 1	34	GND	B 1	33	DIFF. PAIR PFI 3-	C 1	68	DIFF. PAIR PFI 4-	D 1	67	DIFF. PAIR PFI 4+
A 2	32	DIFF. PAIR PFI 3+	B 2	31	GND	C 2	66	GND	D 2	65	DIFF. PAIR PFI 2-
A 3	30	DIFF. PAIR PFI 1-	B 3	29	DIFF. PAIR PFI 1+	C 3	64	DIFF. PAIR PFI 2+	D 3	63	GND
A 4	28	GND	B 4	27	DIFF. PAIR GLOBAL CLK 0-	C 4	62	DIFF. PAIR DDC CLK OUT-/PFI 0-	D 4	61	DIFF. PAIR DDC CLK OUT+/PFI 0+
A 5	26	DIFF. PAIR GLOBAL CLK 0+	B 5	25	GND	C 5	60	GND	D 5	59	DIFF. PAIR DIO 15-
A 6	24	DIFF. PAIR DIO 14-	B 6	23	DIFF. PAIR DIO 14+	C 6	58	DIFF. PAIR DIO 15+	D 6	57	GND
A 7	22	GND	B 7	21	DIFF. PAIR DIO 12-	C 7	56	DIFF. PAIR DIO 13-	D 7	55	DIFF. PAIR DIO 13+
A 8	20	DIFF. PAIR DIO 12+	B 8	19	GND	C 8	54	GND	D 8	53	DIFF. PAIR DIO 11-
A 9	18	DIFF. PAIR DIO 10-	B 9	17	DIFF. PAIR DIO 10+	C 9	52	DIFF. PAIR DIO 11+	D 9	51	GND
A 10	16	GND	B 10	15	DIFF. PAIR DIO 8-	C 10	50	DIFF. PAIR DIO 9-	D 10	49	DIFF. PAIR DIO 9+
A 11	14	DIFF. PAIR DIO 8+	B 11	13	GND	C 11	48	GND	D 11	47	DIFF. PAIR DIO 7-
A 12	12	DIFF. PAIR DIO 6-	B 12	11	DIFF. PAIR DIO 6+	C 12	46	DIFF. PAIR DIO 7+	D 12	45	GND
A 13	10	GND	B 13	9	DIFF. PAIR DIO 4-	C 13	44	DIFF. PAIR DIO 5-	D 13	43	DIFF. PAIR DIO 5+
A 14	8	DIFF. PAIR DIO 4+	B 14	7	GND	C 14	42	GND	D 14	41	DIFF. PAIR DIO 3-
A 15	6	DIFF. PAIR DIO 2-	B 15	5	DIFF. PAIR DIO 2+	C 15	40	DIFF. PAIR DIO 3+	D 15	39	GND
A 16	4	GND	B 16	3	DIFF. PAIR DIO 0-	C 16	38	DIFF. PAIR DIO 1-	D 16	37	DIFF. PAIR DIO 1+
A 17	2	DIFF. PAIR DIO 0+	B 17	1	GND	C 17	36	GND	D 17	35	GND
J1	J3		J1	J3		J1	J3		J1	J3	
A 34	34	GND	B 34	33	DIFF. PAIR PFI 3-	C 34	68	DIFF. PAIR PFI 4-	D 34	67	DIFF. PAIR PFI 4+
A 35	32	DIFF. PAIR PFI 3+	B 35	31	GND	C 35	66	GND	D 35	65	DIFF. PAIR PFI 2-
A 36	30	DIFF. PAIR PFI 1-	B 36	29	DIFF. PAIR PFI 1+	C 36	64	DIFF. PAIR PFI 2+	D 36	63	GND
A 37	28	GND	B 37	27	DIFF. PAIR GLOBAL CLK 0-	C 37	62	DIFF. PAIR DDC CLK OUT-/PFI 0-	D 37	61	DIFF. PAIR DDC CLK OUT+/PFI 0+
A 38	26	DIFF. PAIR GLOBAL CLK 0+	B 38	25	GND	C 38	60	GND	D 38	59	DIFF. PAIR DIO 15-
A 39	24	DIFF. PAIR DIO 14-	B 39	23	DIFF. PAIR DIO 14+	C 39	58	DIFF. PAIR DIO 15+	D 39	57	GND
A 40	22	GND	B 40	21	DIFF. PAIR DIO 12-	C 40	56	DIFF. PAIR DIO 13-	D 40	55	DIFF. PAIR DIO 13+
A 41	20	DIFF. PAIR DIO 12+	B 41	19	GND	C 41	54	GND	D 41	53	DIFF. PAIR DIO 11-
A 42	18	DIFF. PAIR DIO 10-	B 42	17	DIFF. PAIR DIO 10+	C 42	52	DIFF. PAIR DIO 11+	D 42	51	GND
A 43	16	GND	B 43	15	DIFF. PAIR DIO 8-	C 43	50	DIFF. PAIR DIO 9-	D 43	49	DIFF. PAIR DIO 9+
A 44	14	DIFF. PAIR DIO 8+	B 44	13	GND	C 44	48	GND	D 44	47	DIFF. PAIR DIO 7-
A 45	12	DIFF. PAIR DIO 6-	B 45	11	DIFF. PAIR DIO 6+	C 45	46	DIFF. PAIR DIO 7+	D 45	45	GND
A 46	10	GND	B 46	9	DIFF. PAIR DIO 4-	C 46	44	DIFF. PAIR DIO 5-	D 46	43	DIFF. PAIR DIO 5+
A 47	8	DIFF. PAIR DIO 4+	B 47	7	GND	C 47	42	GND	D 47	41	DIFF. PAIR DIO 3-
A 48	6	DIFF. PAIR DIO 2-	B 48	5	DIFF. PAIR DIO 2+	C 48	40	DIFF. PAIR DIO 3+	D 48	39	GND
A 49	4	GND	B 49	3	DIFF. PAIR DIO 0-	C 49	38	DIFF. PAIR DIO 1-	D 49	37	DIFF. PAIR DIO 1+
A 50	2	DIFF. PAIR DIO 0+	B 50	1	GND	C 50	36	GND	D 50	35	GND