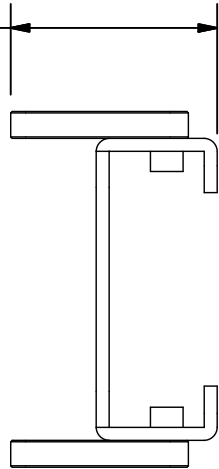
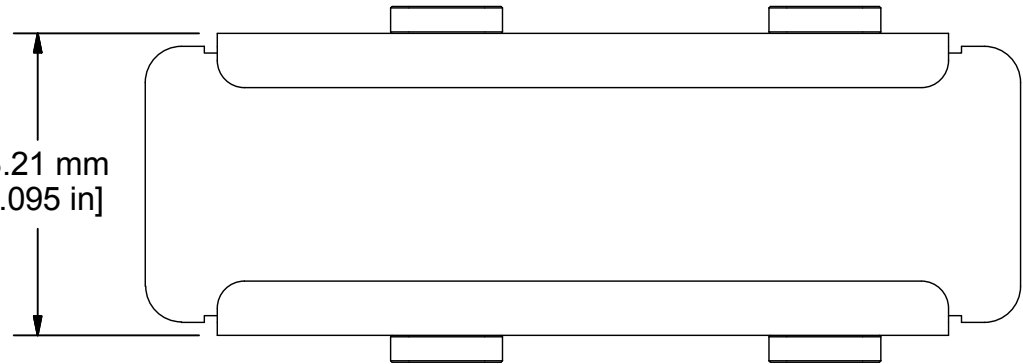


36.39 mm [1.433 in]

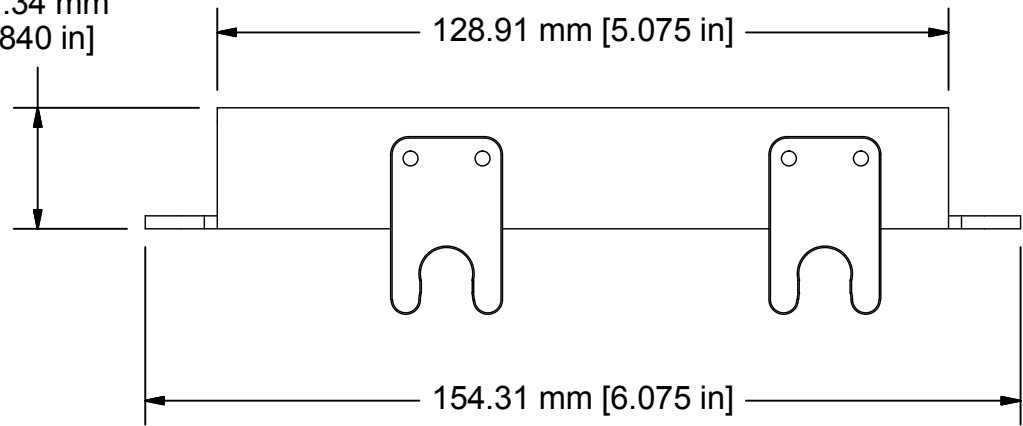


53.21 mm  
[2.095 in]



21.34 mm  
[.840 in]

128.91 mm [5.075 in]



154.31 mm [6.075 in]



COMMENTS / NOTES

MACPANEL

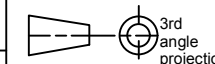
WWW.MACPANEL.COM

DRAWN BY  
DC

DATE  
18/08/2008

DESCRIPTION

Protective Cover, ITA,  
2 Slot - TITAN



3rd  
angle  
projection

DRAWING NO.

561459 - CU

REVISION

SHEET  
1 OF 1