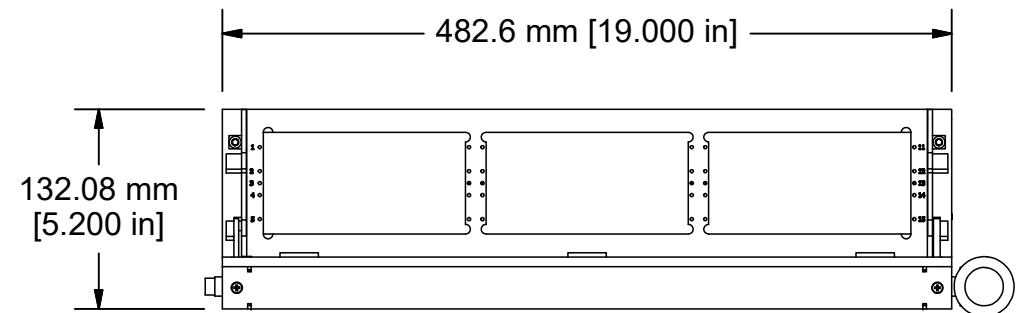
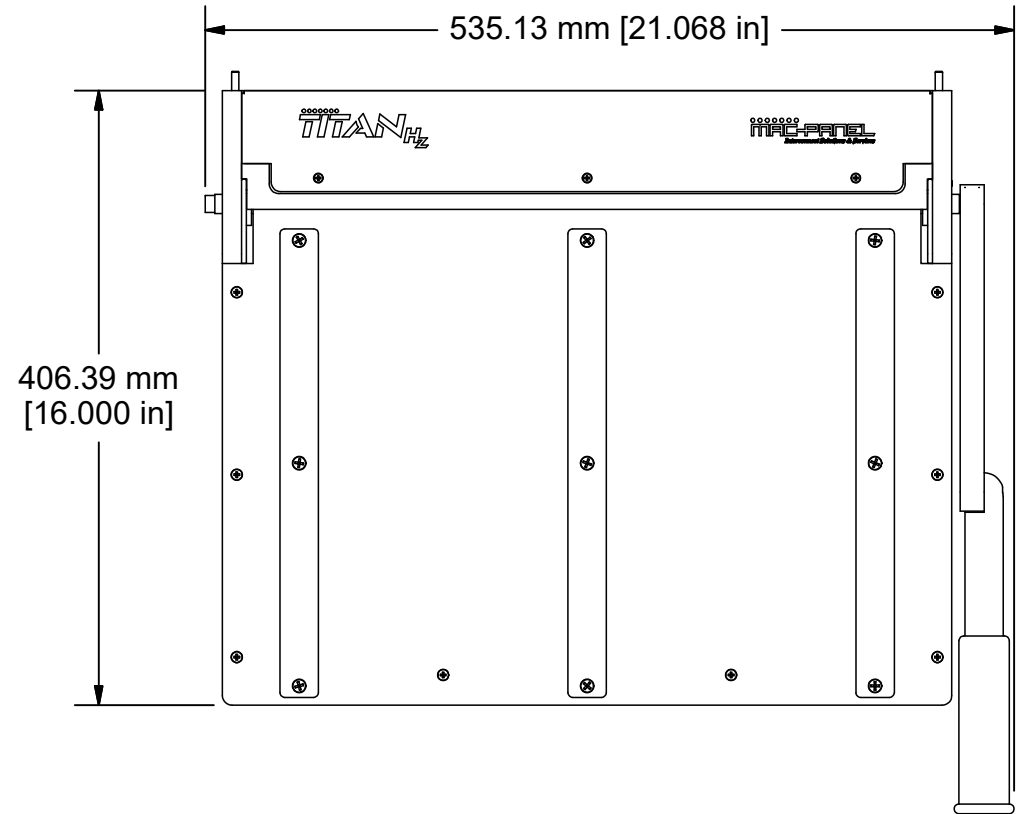




Receiver CLOSED position.



Receiver OPEN position.



COMMENTS / NOTES

Handle location and position can be changed with a $\frac{5}{32}$ Hex Key. See Sheet 3.



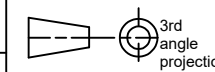
WWW.MACPANEL.COM

DRAWN BY
DBC

DATE
11/08/2016

DESCRIPTION

TITAN Hz Receiver, 3 U High



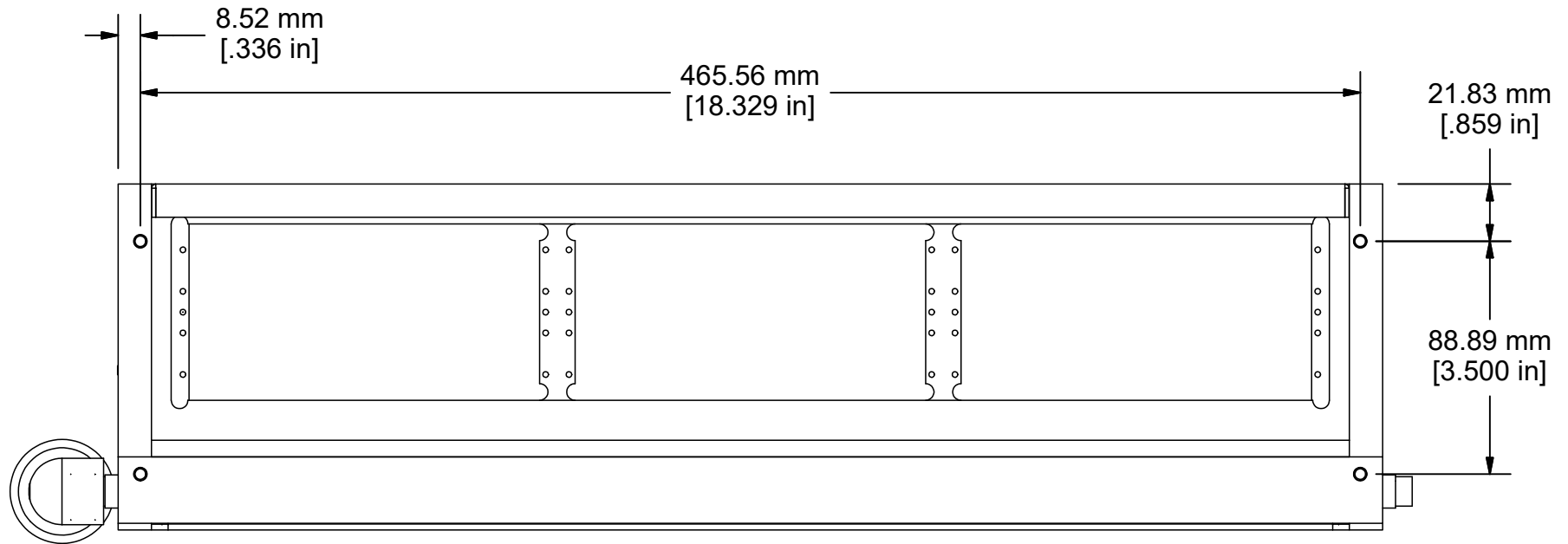
SHEET
1 OF 4

DRAWING NO.

561395-CU

REVISION

F



COMMENTS / NOTES

Hole positions for mounting to rack

MAC-PANEL

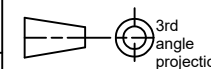
WWW.MACPANEL.COM

DRAWN BY
DBC

DATE
11/08/2016

DESCRIPTION

TITAN Hz Receiver, 3 U High



3rd
angle
projection

DRAWING NO.

561395-CU

REVISION

F

SHEET

2 OF 4



COMMENTS / NOTES

All views show receiver in the ITA engaged position.
Handle shown in all 4 alternative positions.



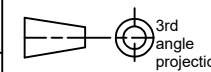
WWW.MACPANEL.COM

DRAWN BY
DBC

DATE
11/08/2016

DESCRIPTION

TITAN Hz Receiver, 3 U High



3rd
angle
projection

DRAWING NO.

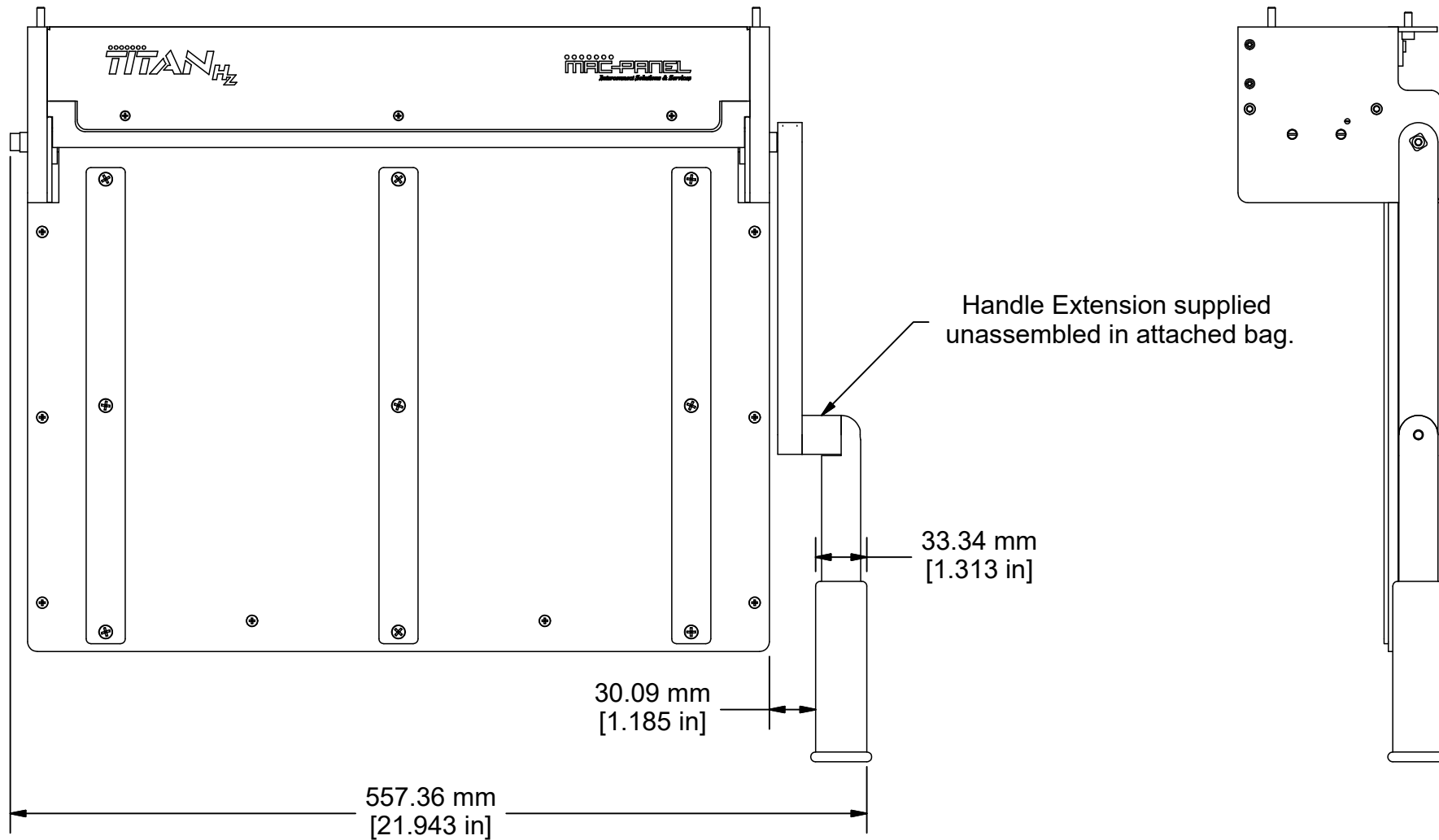
561395-CU

REVISION

F

SHEET

3 OF 4



COMMENTS / NOTES

View to show Handle Extension to prevent fingers getting to close to main base plate.



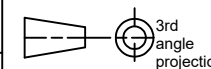
WWW.MACPANEL.COM

DRAWN BY
DBC

DATE
11/08/2016

DESCRIPTION

TITAN Hz Receiver, 3 U High



DRAWING NO.

561395-CU

REVISION

F

SHEET

4 OF 4