

COMMENTS / NOTES

Connector J1 pushes onto back of TITAN receiver module P/N 561303

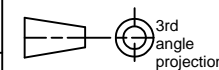
MAC-PANEL

WWW.MACPANEL.COM

DRAWN BY

DATE

7/12/2010



SHEET

1 OF 3

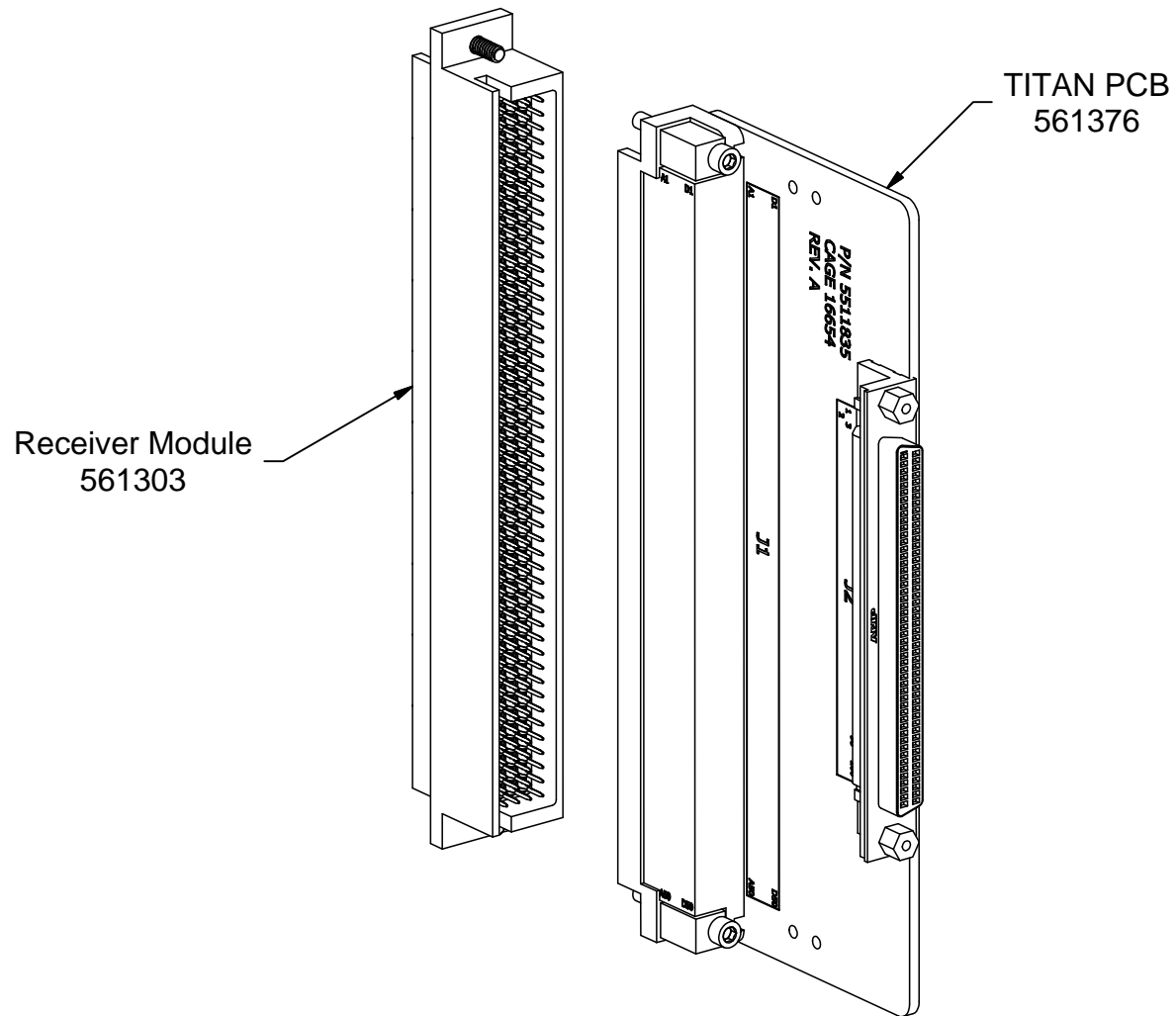
DESCRIPTION

PCB, TITAN, RCVR,
100 pin SCSI, Female.

DRAWING NO.

561376-CU

REVISION



COMMENTS / NOTES

TITAN PCB (561376) pushes into the back of Titan receiver module (561303)

MAC-PANEL

WWW.MACPANEL.COM

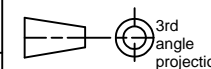
DRAWN BY

DATE

7/12/2010

DESCRIPTION

PCB, TITAN, RCVR,
100 pin SCSI, Female.



3rd
angle
projection

DRAWING NO.

561303 and 561376-CU

REVISION

SHEET

2 OF 3

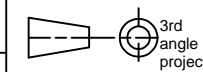
561376WL							
J1	J2	J1	J2	J1	J2	J1	J2
A 1	2	B 1	1	C 1	52	D 1	51
A 2	4	B 2	3	C 2	54	D 2	53
A 3	6	B 3	5	C 3	56	D 3	55
A 4	8	B 4	7	C 4	58	D 4	57
A 5	10	B 5	9	C 5	60	D 5	59
A 6	12	B 6	11	C 6	62	D 6	61
A 7	14	B 7	13	C 7	64	D 7	63
A 8	16	B 8	15	C 8	66	D 8	65
A 9	18	B 9	17	C 9	68	D 9	67
A 10	20	B 10	19	C 10	70	D 10	69
A 11	22	B 11	21	C 11	72	D 11	71
A 12	24	B 12	23	C 12	74	D 12	73
A 13	26	B 13	25	C 13	76	D 13	75
A 14	28	B 14	27	C 14	78	D 14	77
A 15	30	B 15	29	C 15	80	D 15	79
A 16	32	B 16	31	C 16	82	D 16	81
A 17	34	B 17	33	C 17	84	D 17	83
A 18	36	B 18	35	C 18	86	D 18	85
A 19	38	B 19	37	C 19	88	D 19	87
A 20	40	B 20	39	C 20	90	D 20	89
A 21	42	B 21	41	C 21	92	D 21	91
A 22	44	B 22	43	C 22	94	D 22	93
A 23	46	B 23	45	C 23	96	D 23	95
A 24	48	B 24	47	C 24	98	D 24	97
A 25	50	B 25	49	C 25	100	D 25	99

COMMENTS / NOTES



WWW.MACPANEL.COM

DRAWN BY DATE
7/12/2010



SHEET 3 OF 3

DESCRIPTION

Wire list for P/N 561376,
TITAN PCB

DRAWING NO. REVISION

-CU