

COMMENTS / NOTES

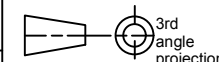
Suitable for M5 or 10-32UNF (Not supplied) socket cap screws for mounting to 19" rack.

Supplied with 10 x 10-32 UNF socket cap screws for mounting 25 slot receiver.



WWW.MACPANEL.COM

DRAWN BY DATE 18/08/2008



SHEET 1 OF 2

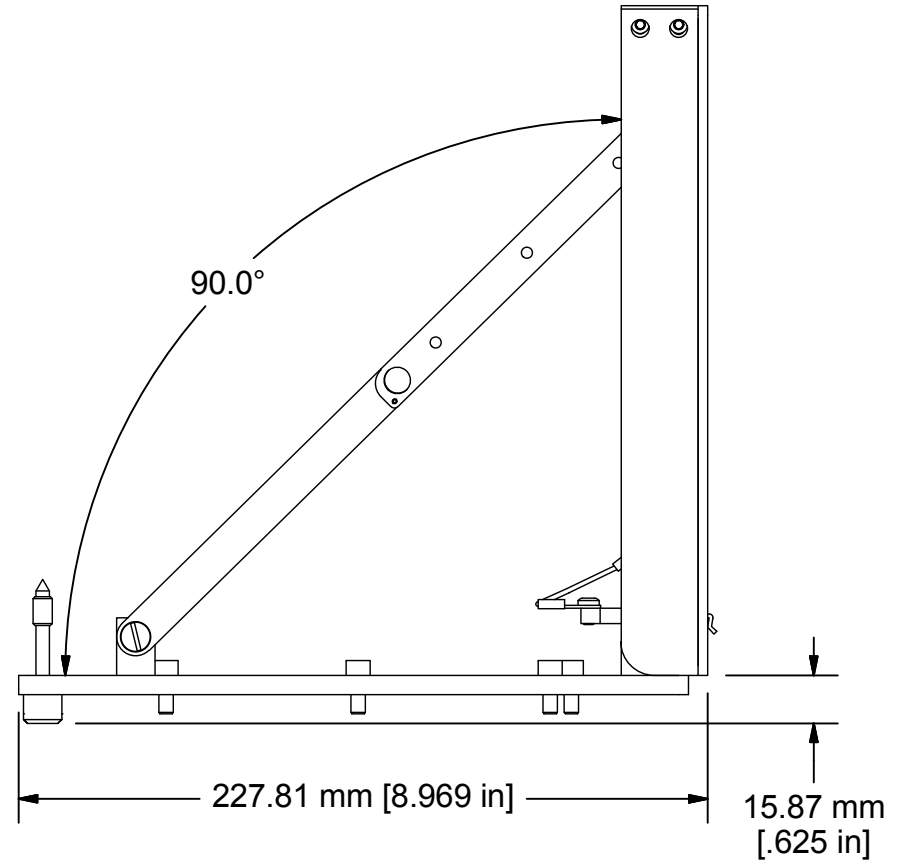
DESCRIPTION

TITAN, Hinged Kit, 25 Slot, 5U to 19" Rack.

DRAWING NO.

L2000_25_HD-CU

REVISION



COMMENTS / NOTES

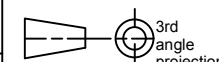
Suitable for M5 or 10-32UNF (Not supplied) socket cap screws for mounting to 19" rack.

Supplied with 10 x 10-32 UNF socket cap screws for mounting 25 slot receiver.



WWW.MACPANEL.COM

DRAWN BY DATE
18/08/2008



SHEET 2 OF 2

DESCRIPTION

TITAN, Hinged Kit, 25 Slot, 5U to 19" Rack.

DRAWING NO.

561358-CU

REVISION