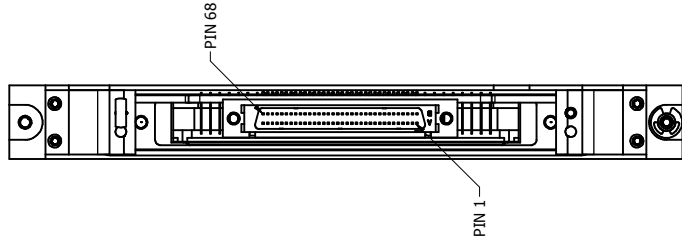
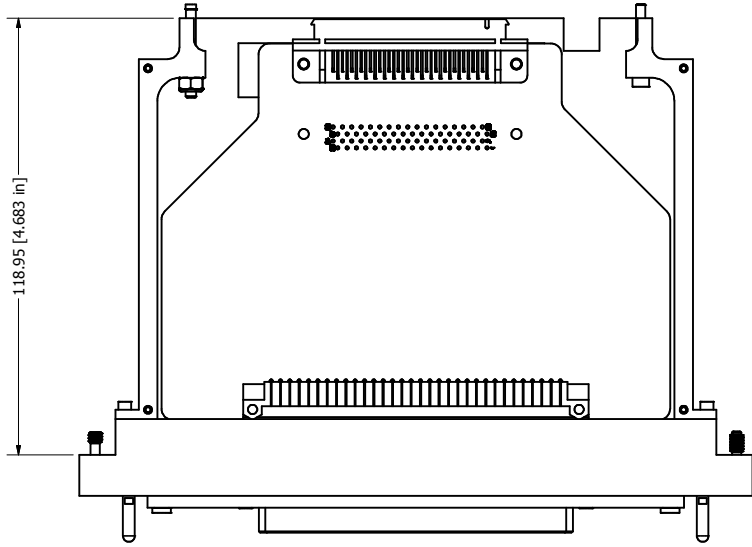
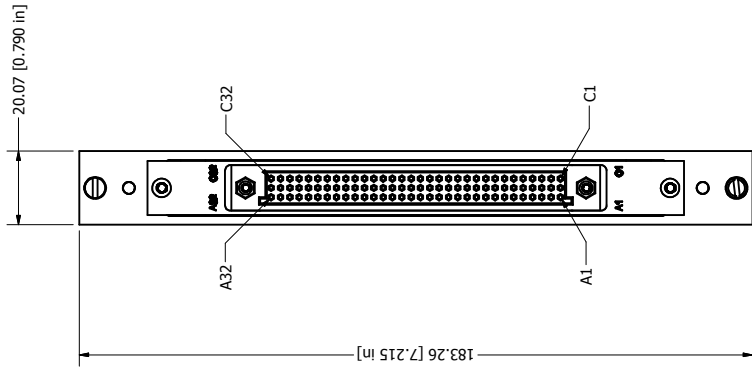


NOTES:

1. USE INSTRUCTION SHEET IN91100 FOR ATTACHING DAK TO PXI CARD.
2. RECEIVER/ITA MODULE TO BE KEYPED ON LEFT SIDE.
3. WAITING ITA MODULE P/N 561413
4. SUPPLIED WITH MOUNTING HARDWARE.
5. SEE SHEET 3 FOR WIRE LIST.



RIGHT SIDE PLATE REMOVED FOR CLARITY.

<p>MAC PANEL PROPRIETARY This document may contain confidential and proprietary information that is the property of MAC Panel Company that may not be disclosed to, or duplicated for others except as authorized by MAC Panel Company.</p>		<p>14/07/2008</p>		<p>MAC PANEL COMPANY - HIGH POINT, NC</p>	
<p>MAC PANEL PROPRIETARY This document may contain confidential and proprietary information that is the property of MAC Panel Company that may not be disclosed to, or duplicated for others except as authorized by MAC Panel Company.</p>		<p>ENGINEERING GAC</p>		<p>TITLE</p>	
<p>OPERATIONS C. BOGGS</p>		<p>MANUFACTURING R. SPIVEY</p>		<p>SCOUT, DAK, 68 PIN SCSI2</p>	
<p>ASSEMBLY MATERIAL USED</p>		<p>SIZE C</p>		<p>DWG NO 561194-CU</p>	
<p>SCALE 1/1</p>		<p>SPR: SIMILAR P/N</p>		<p>SHEET 1 OF 3</p>	

BALLOON LEGEND

PART NUMBER
QTY

TOLERANCES (UNLESS OTHERWISE SPECIFIED)

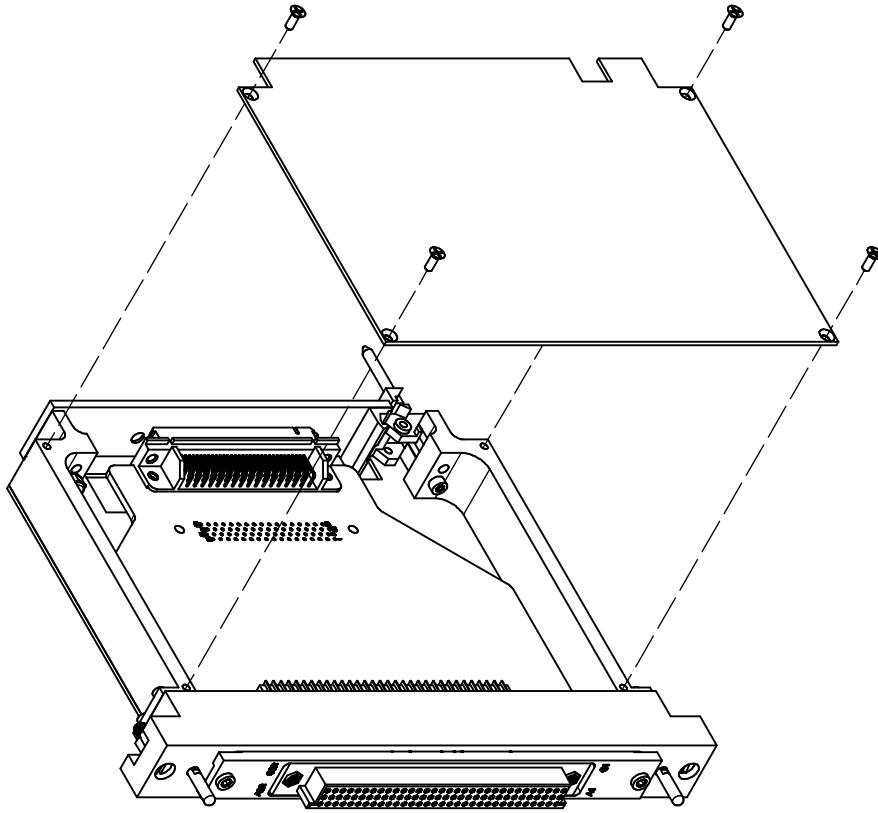
SHEET METAL	MACHINED
ANGLES ± 1°	ANGLES ± 1°
± .03	± .01
.XX	.XX
.XXX	.XXX
	.005

REMOVE ALL BURRS AND BREAK SHARP EDGES.

Third Angle Projection

NOTES:

1. USE INSTRUCTION SHEET IN91100 FOR ATTACHING DAK TO PXI CARD.
2. RECEIVER/ITA MODULE TO BE KEYED ON LEFT SIDE.
3. WAITING ITA MODULE P/N 561413
4. SUPPLIED WITH MOUNTING HARDWARE.
5. SEE SHEET 3 FOR WIRE LIST.



BALLOON LEGEND

PART NUMBER	QTY

MAC PANEL PROPRIETARY
 This document may contain confidential and proprietary information that is the property of MAC Panel Company that may not be disclosed to, or duplicated for others except as authorized by MAC Panel Company.

TOOLERANCES (UNLESS OTHERWISE SPECIFIED)
 SHEET METAL MACHINED
 ANGLES ± 1°
 .XX ± .01
 .XXX ± .010
 .XXXX ± .005
 REMOVE ALL BURRS AND BREAK SHARP EDGES.



DRAWN BY	14/07/2008
WIKM	
ENGINEERING	
GAC	
OPERATIONS	
C. BOGGS	
MANUFACTURING	
R. SPIVEY	
ASSEMBLY	
MATERIAL USED	

MAC PANEL COMPANY - HIGH POINT, NC	
TITLE	
SCOUT, DAK, 68 PIN SCSI2	
SIZE	DWG NO
C	561194-CU
SCALE	1/1
SPR:	SIMILAR P/N
2	1
SHEET 2 OF 3	

