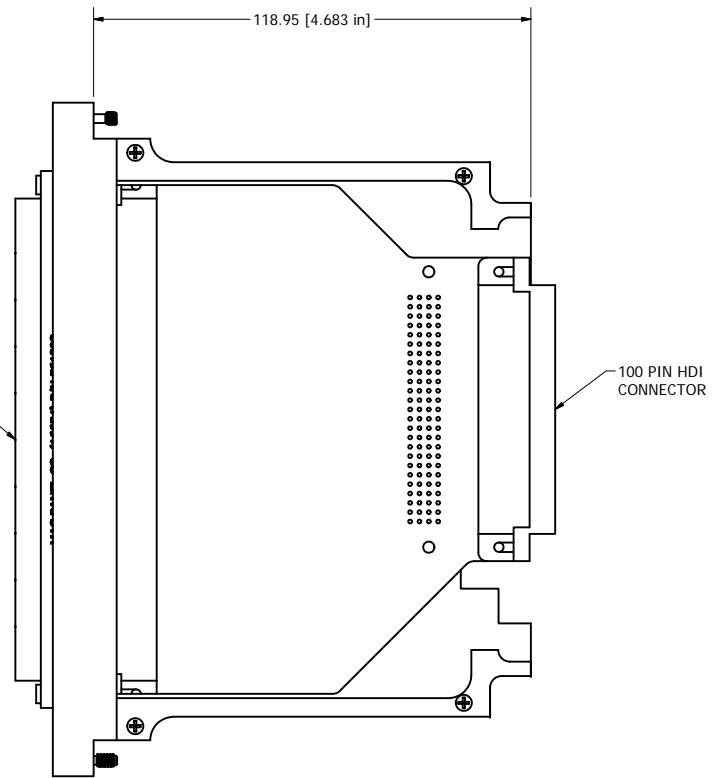
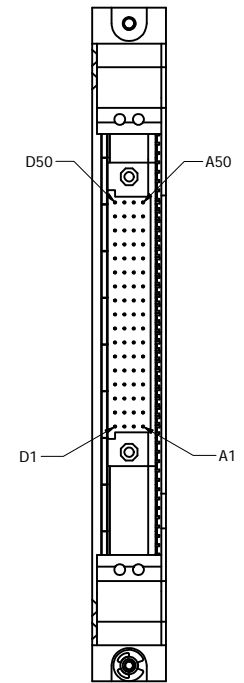


MAC 200 PIN
CONNECTOR



100 PIN HDI
CONNECTOR



RIGHT SIDE PLATE REMOVED FOR CLARITY.

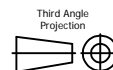
BALLOON LEGEND

PART NUMBER
QTY

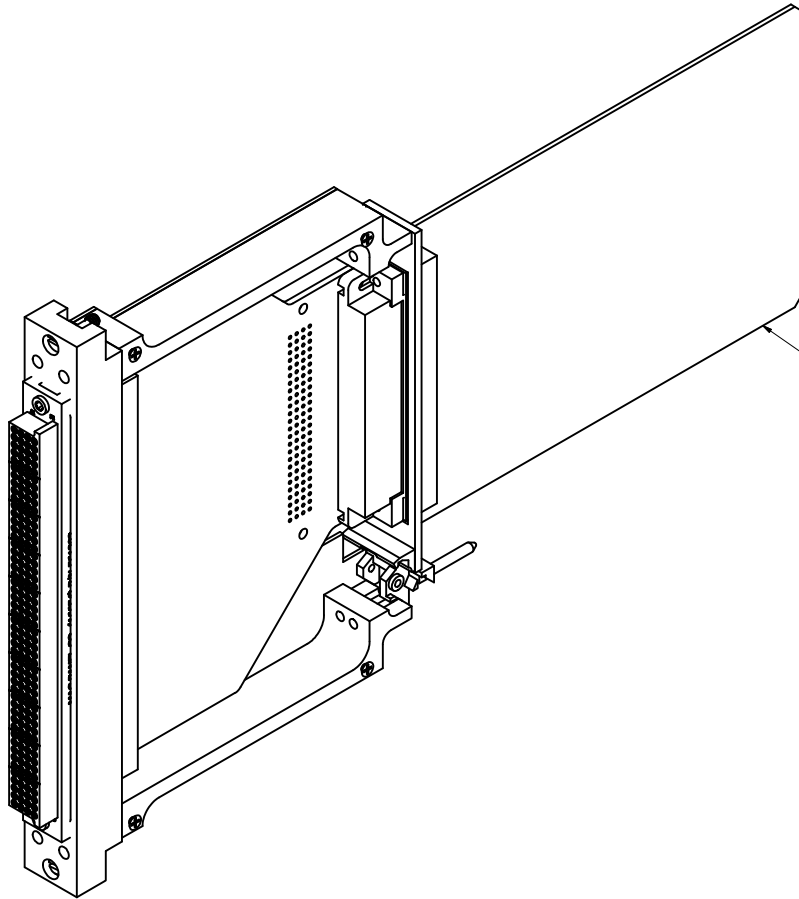
TOLERANCES (UNLESS OTHERWISE SPECIFIED)

SHEET METAL		MACHINED	
ANGLES ± 1°	ANGLES ± 1°	XX ± .03	XX ± .01
.XXX ± .010	.XXX ± .005	.XXX ± .005	.XXX ± .0005

REMOVE ALL BURRS AND BREAK SHARP EDGES.



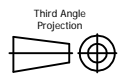
DRAWN BY	20/04/2007	MAC PANEL COMPANY - HIGH POINT, NC	
ENGINEERING		TITLE	
OPERATIONS		DAK SCOUT, 100 PIN NI HDI	
MANUFACTURING		SIZE	DWG NO
ASSEMBLY		C	561024-cu
MATERIAL USED		SCALE	1/1
		SPN:	SIMILAR P/N
		SHEET 1 OF 3	



PXI CARD SHOWN FOR REFERENCE ONLY,
NOT INCLUDED IN ASSEMBLY

BALLOON LEGEND	
PART NUMBER	
QTY	

TOLERANCES (UNLESS OTHERWISE SPECIFIED)	
<u>SHEET METAL</u>	<u>MACHINED</u>
ANGLES ± 1'	ANGLES ± 1'
.XX ± .03	.XX ± .01
.XXX ± .010	.XXX ± .005
	.XXXX ± .0005
REMOVE ALL BURRS AND BREAK SHARP EDGES.	



DRAWN BY	20/04/2007	MAC PANEL COMPANY - HIGH POINT, NC	
ENGINEERING		TITLE	
OPERATIONS		DAK SCOUT, 100 PIN NI HDI	
MANUFACTURING		SIZE	DWG NO
ASSEMBLY		C	561024-cu
MATERIAL USED		SCALE	1/1
		SPN:	SIMILAR P/N
		SHEET 2 OF 3	

8 7 6 5 4 3 2 1

D
C
B
A

D
C
B
A

8 7 6 5 4 3 2 1

SCOUT DAK LIST 561024WL - Wire List

Rev. -

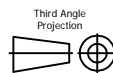
MAC 200 PIN CONNECTOR	100 PIN HDI CONNECTOR	MAC 200 PIN CONNECTOR	100 PIN HDI CONNECTOR	MAC 200 PIN CONNECTOR	100 PIN HDI CONNECTOR	MAC 200 PIN CONNECTOR	100 PIN HDI CONNECTOR
D50	D1	C50	C1	B50	B1	A50	A1
D49	D2	C49	C2	B49	B2	A49	A2
D48	D3	C48	C3	B48	B3	A48	A3
D47	D4	C47	C4	B47	B4	A47	A4
D46	D5	C46	C5	B46	B5	A46	A5
D45	D6	C45	C6	B45	B6	A45	A6
D44	D7	C44	C7	B44	B7	A44	A7
D43	D8	C43	C8	B43	B8	A43	A8
D42	D9	C42	C9	B42	B9	A42	A9
D41	D10	C41	C10	B41	B10	A41	A10
D40	D11	C40	C11	B40	B11	A40	A11
D39	D12	C39	C12	B39	B12	A39	A12
D38	D13	C38	C13	B38	B13	A38	A13
D37	D14	C37	C14	B37	B14	A37	A14
D36	D15	C36	C15	B36	B15	A36	A15
D35	D16	C35	C16	B35	B16	A35	A16
D34	D17	C34	C17	B34	B17	A34	A17
D33	D18	C33	C18	B33	B18	A33	A18
D32	D19	C32	C19	B32	B19	A32	A19
D31	D20	C31	C20	B31	B20	A31	A20
D30	D21	C30	C21	B30	B21	A30	A21
D29	D22	C29	C22	B29	B22	A29	A22
D28	D23	C28	C23	B28	B23	A28	A23
D27	D24	C27	C24	B27	B24	A27	A24
D26	D25	C26	C25	B26	B25	A26	A25

BALLOON LEGEND

PART NUMBER
QTY

TOLERANCES (UNLESS OTHERWISE SPECIFIED)

SHEET METAL	MACHINED
ANGLES ± 1°	ANGLES ± 1°
.XX ± .03	.XX ± .01
.XXX ± .010	.XXX ± .005
	.XXXX ± .0005



REMOVE ALL BURRS AND BREAK SHARP EDGES.

DRAWN BY	20/04/2007	MAC PANEL COMPANY - HIGH POINT, NC	
ENGINEERING		TITLE	
OPERATIONS		DAK SCOUT, 100 PIN NI HDI	
MANUFACTURING		SIZE	DWG NO
ASSEMBLY		C	561024-cu
MATERIAL USED		SCALE	1/1
		SPN:	SIMILAR P/N
		SHEET 3 OF 3	