

Used on these Contacts	
Receiver	ITA
7861200-10	7861100-10
7861200-11	7861100-11
0884010-08	0883010-08
0884010-10	0883010-10
0884010-11	0883010-11
0884010-12	0883010-12
	562005
	562006

COMMENTS / NOTES

Fits in Crimp Tool Part Number 452300

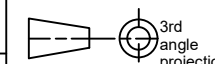
MAC-PANEL

WWW.MACPANEL.COM

DRAWN BY  
DC

DATE  
18/09/2008

DESCRIPTION



3rd  
angle  
projection

Tooling, Hex Die,  
Mini Coax Contacts

DRAWING NO.

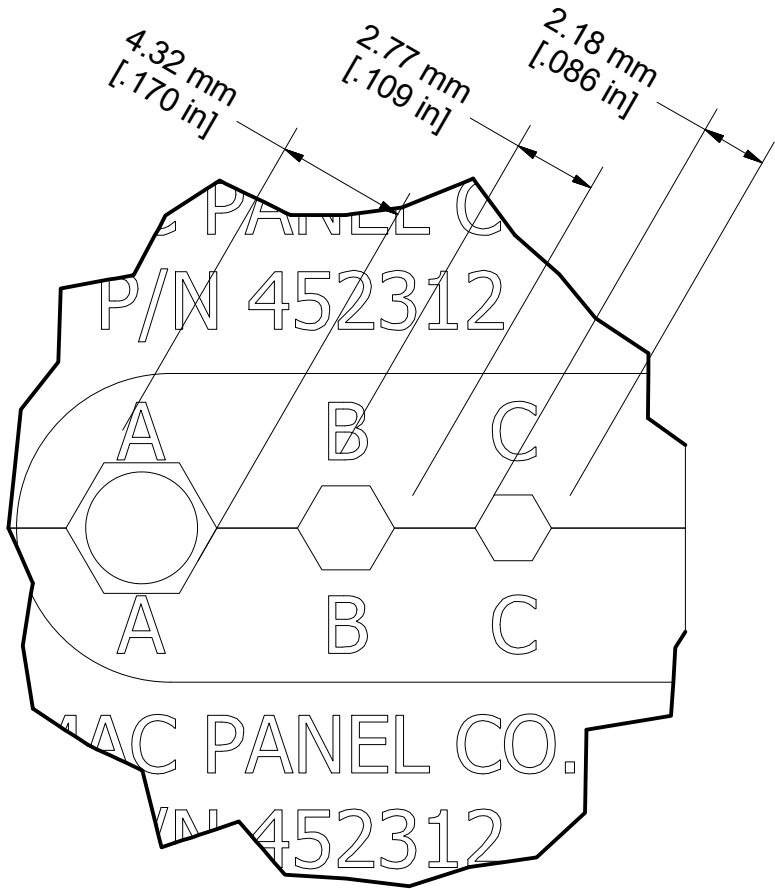
452312-CU

REVISION

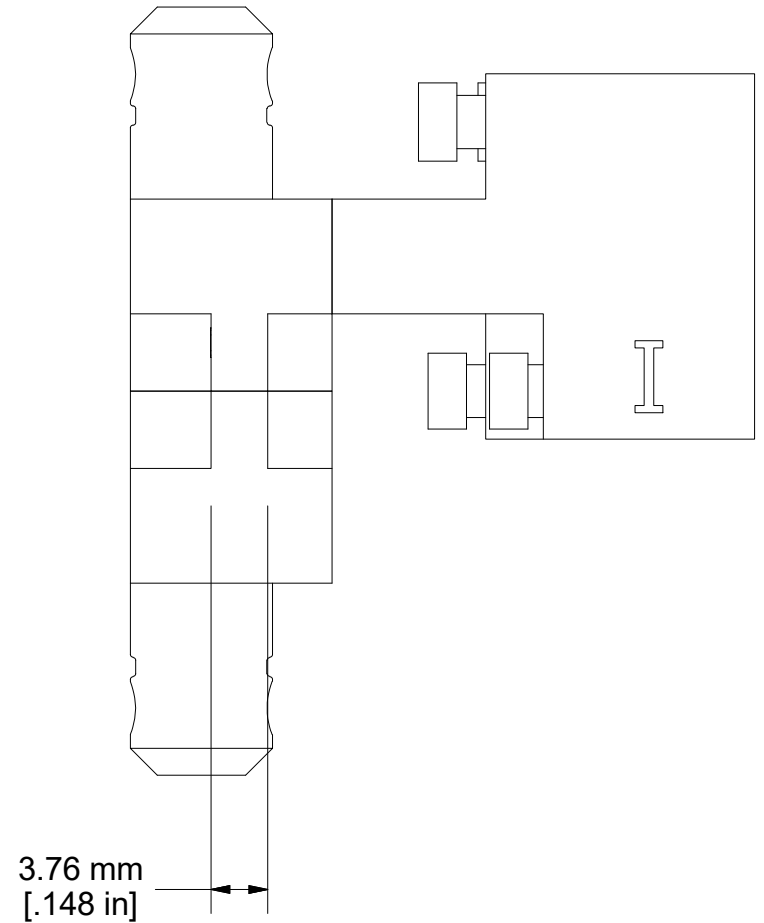
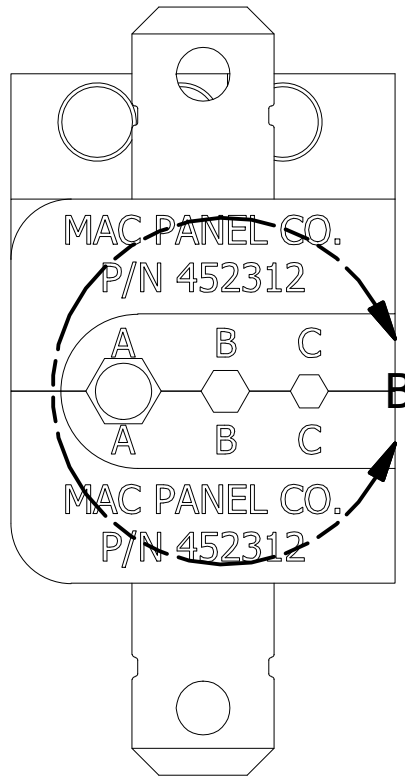
B

SHEET

1 OF 2



**DETAIL B**  
**SCALE 4 : 1**



COMMENTS / NOTES

MAC-PANEL

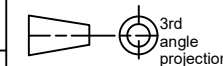
WWW.MACPANEL.COM

DRAWN BY  
DC

DATE  
18/09/2008

DESCRIPTION

Tooling, Hex Die,  
Mini Coax Contacts



DRAWING NO.

452312-CU

REVISION

B

SHEET  
2 OF 2