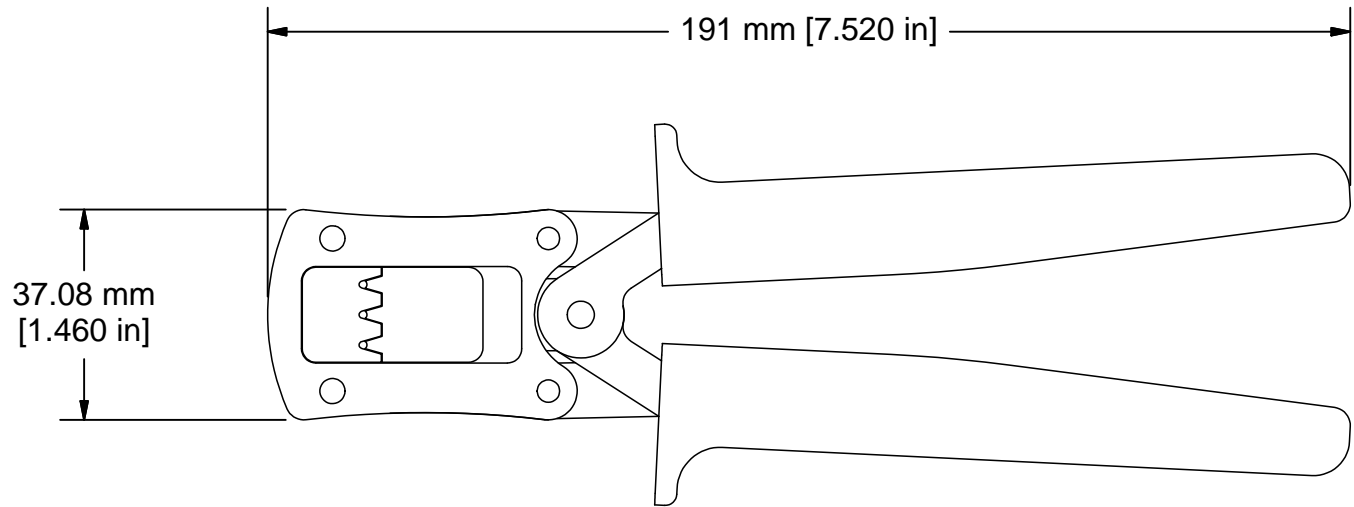
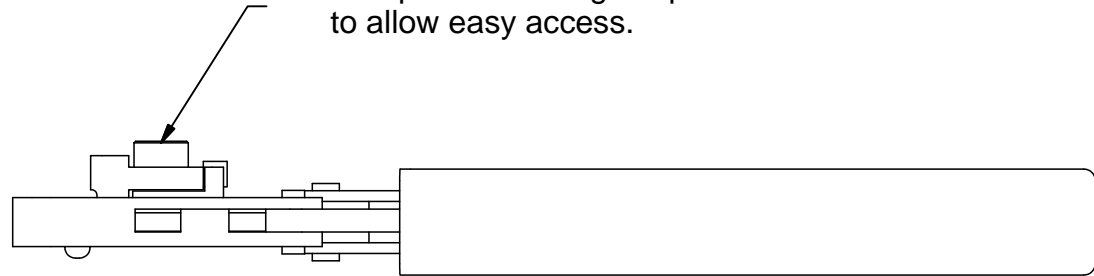


Contact positioner hinges up to allow easy access.



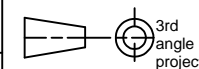
COMMENTS / NOTES

Used on 7853106-02 and 7853106-03 contacts.



WWW.MACPANEL.COM

DRAWN BY DATE
7/30/2010



SHEET 1 OF 1

DESCRIPTION
Crimp Tool,
Tandem Spring Contact.

DRAWING NO. 452006-CU REVISION