

COMMENTS / NOTES

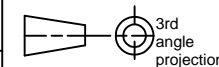
MAC-PANEL

WWW.MACPANEL.COM

DRAWN BY

DATE

3/15/2011



DESCRIPTION

Hinged Mounting Kit, Receiver,
26 Slot, 9U

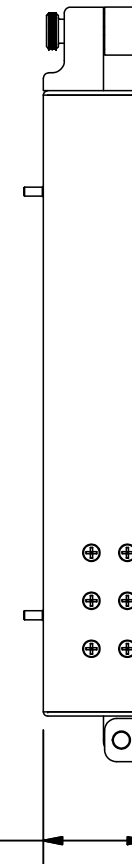
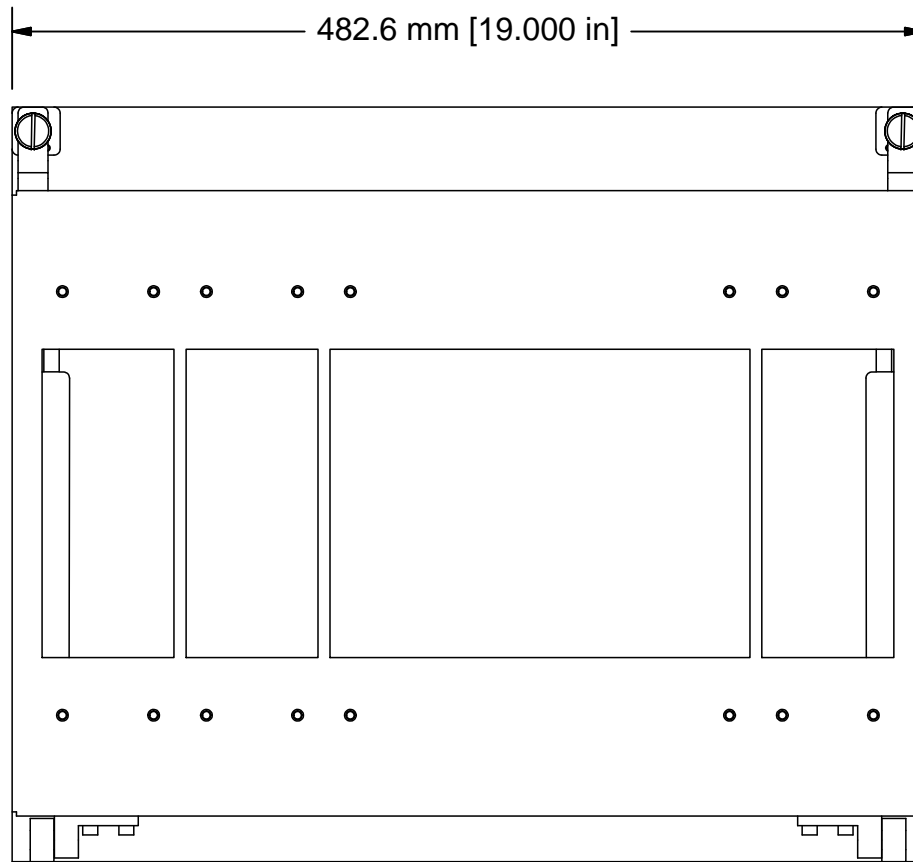
DRAWING NO.

40-170260-01-CU

REVISION

SHEET

1 OF 3

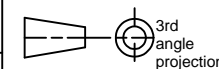


COMMENTS / NOTES

MACPANEL

WWW.MACPANEL.COM

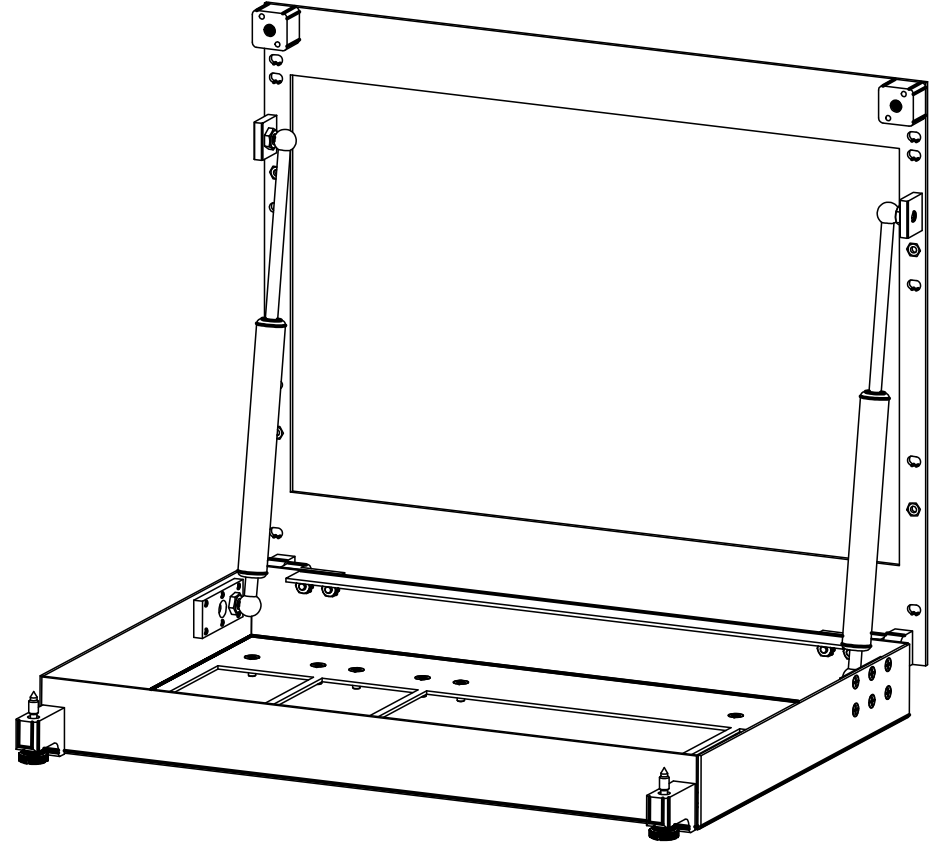
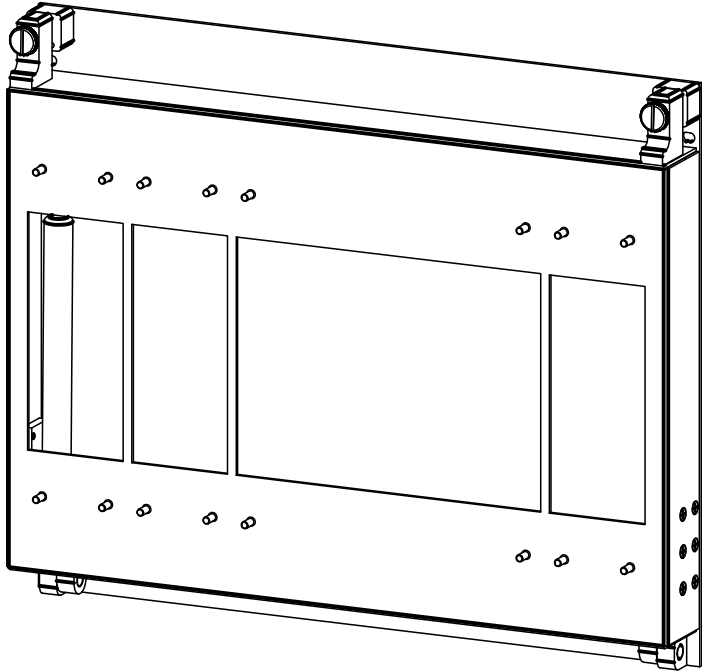
DRAWN BY DATE
3/15/2011



SHEET 2 OF 3

DESCRIPTION
Hinged Mounting Kit, Receiver,
26 Slot, 9U

DRAWING NO. 40-170260-01-CU REVISION



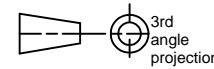
COMMENTS / NOTES

MAC-PANEL

WWW.MACPANEL.COM

DRAWN BY

DATE
3/15/2011



3rd
angle
projection

SHEET

3 OF 3

DESCRIPTION

Hinged Mounting Kit, Receiver,
26 Slot, 9U

DRAWING NO.

40-170260-01-CU

REVISION