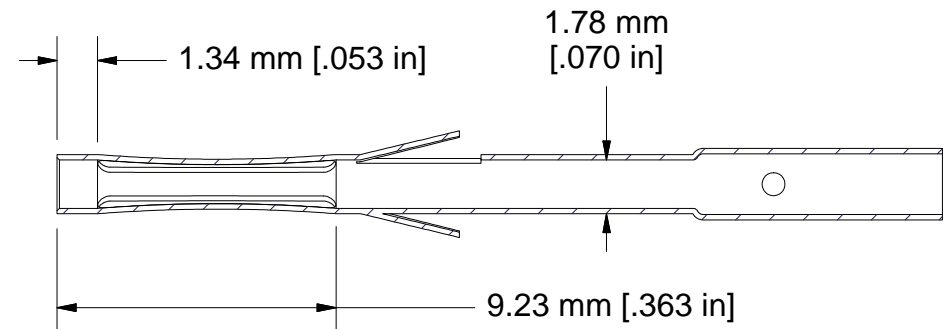
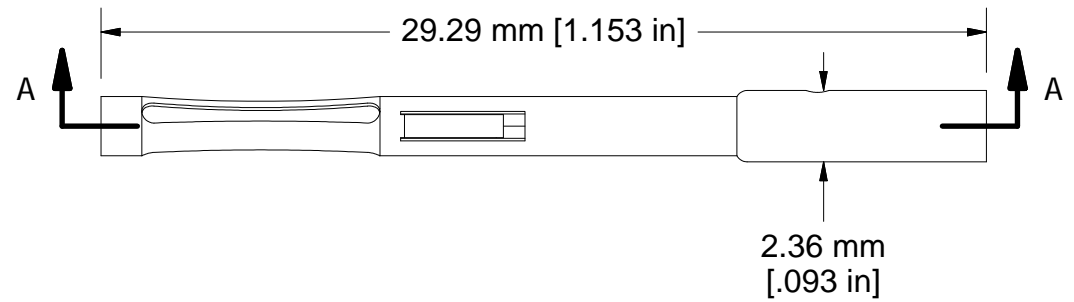


**Operating Current "Max"** : 10 Amps  
**Resistance "Max"** : 4 mOhms  
**Max Wire "AWG"** : 14  
**Min Wire "AWG"** : 18  
**Material** : BeCu  
**Plating** : Au (Gold) over Ni (Nickel)  
**Termination** : Crimp  
**Cycle Life** : 20,000



SECTION A-A

COMMENTS / NOTES

○○○○○○  
**MAC-PANEL**

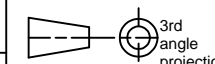
WWW.MACPANEL.COM

DRAWN BY  
DC

DATE  
18/09/2008

DESCRIPTION

**Contact, Receiver, Signal,  
 10amp, 14 awg max**



SHEET  
 1 OF 1

DRAWING NO.

0884013R-01-CU

REVISION