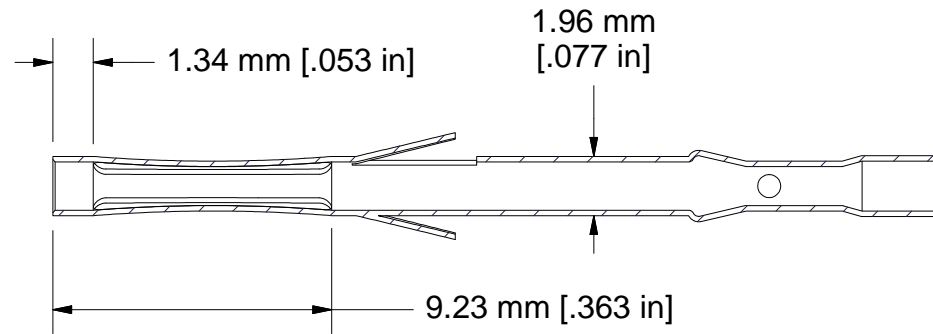
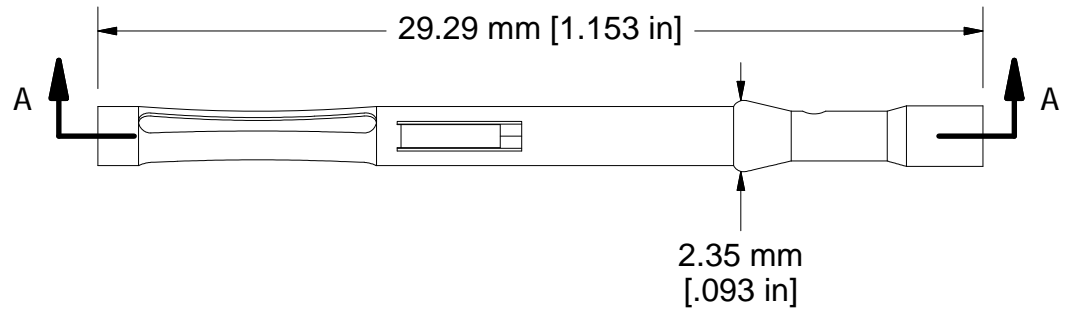


**Operating Current "Max" :** 5 Amps  
**Resistance "Max" :** 4 mOhms  
**Max Wire "AWG" :** 20  
**Min Wire "AWG" :** 24  
**Material :** BeCu  
**Plating :** Au (Gold) over Ni (Nickel)  
**Termination :** Crimp  
**Cycle Life :** 20,000



SECTION A-A



COMMENTS / NOTES		DRAWN BY DC	DATE 18/09/2008	DESCRIPTION <b>Contact, Receiver, Signal, 5 Amp, 22 AWG</b>
	WWW.MACPANEL.COM		SHEET 1 OF 1	DRAWING NO. 0884012R-01-CU