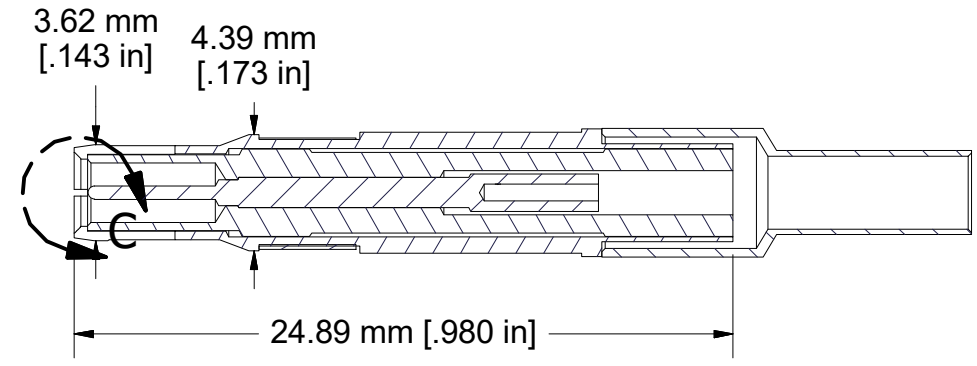

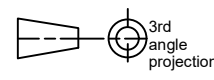


DETAIL C
SCALE 7 : 1



SECTION A-A

COMMENTS / NOTES	 WWW.MACPANEL.COM	DRAWN BY DC	DATE 22/11/2016	DESCRIPTION Contact, ITA, Mini Coax, RG174, RG316
	SHEET 1 OF 1	 3rd angle projection	DRAWING NO. 0883010-11-CU	REVISION A