

COMMENTS / NOTES

Overall View

Panel location screws are improved version from the 0870130-04.



WWW.MACPANEL.COM

DRAWN BY
davecooper

DATE
16/04/2015



SHEET
1 OF 5

DESCRIPTION

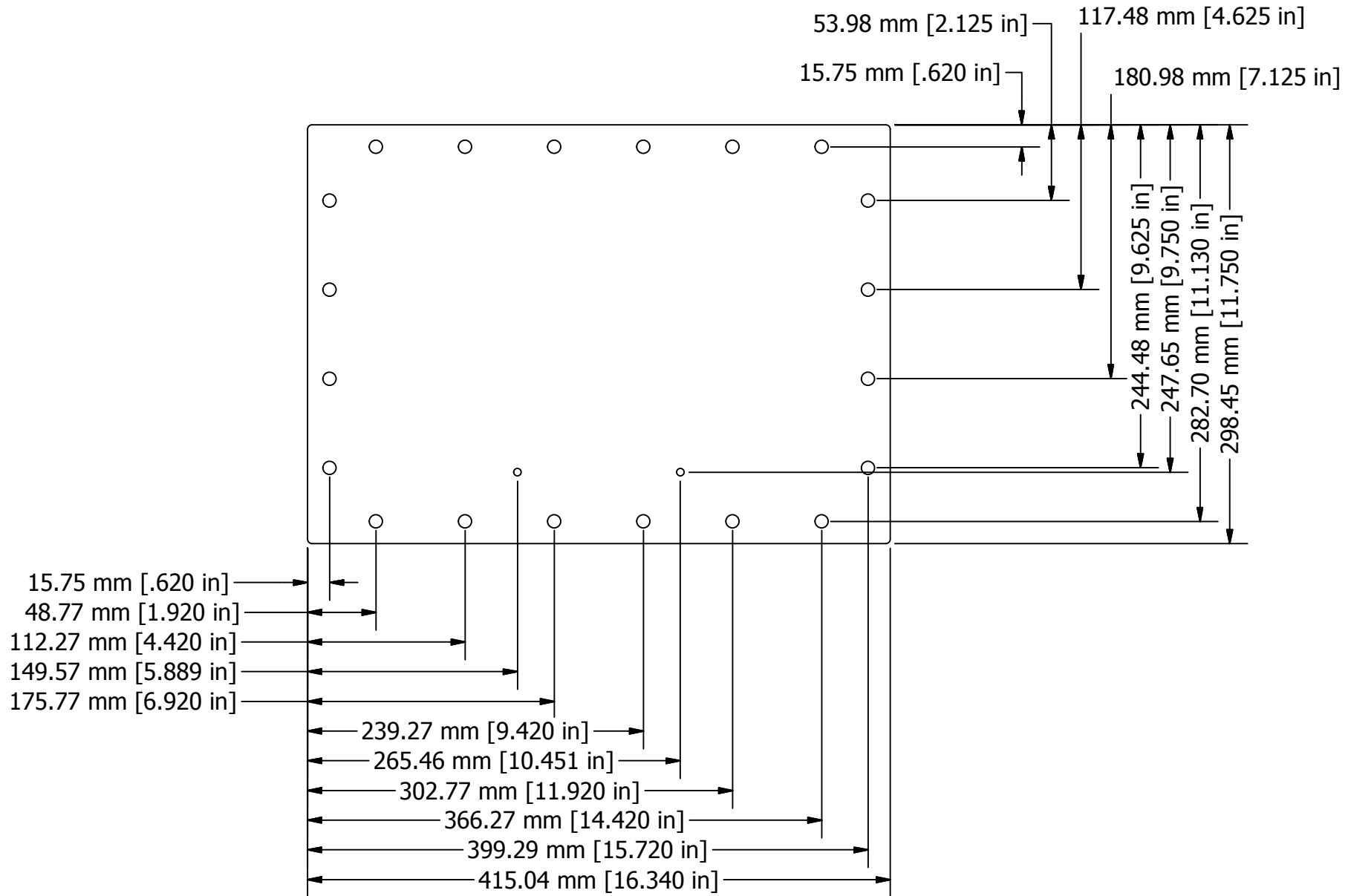
Enclosure, ITA, JSF, EMI Shielded

DRAWING NO.

08701300-14-CU

REVISION

A



COMMENTS / NOTES

Top Panel
(Same for Bottom Panel without holes for Handle)

MAC-PANEL

WWW.MACPANEL.COM

DRAWN BY
davecooper

DATE
16/04/2015

DESCRIPTION

Enclosure, ITA, JSF, EMI Shielded



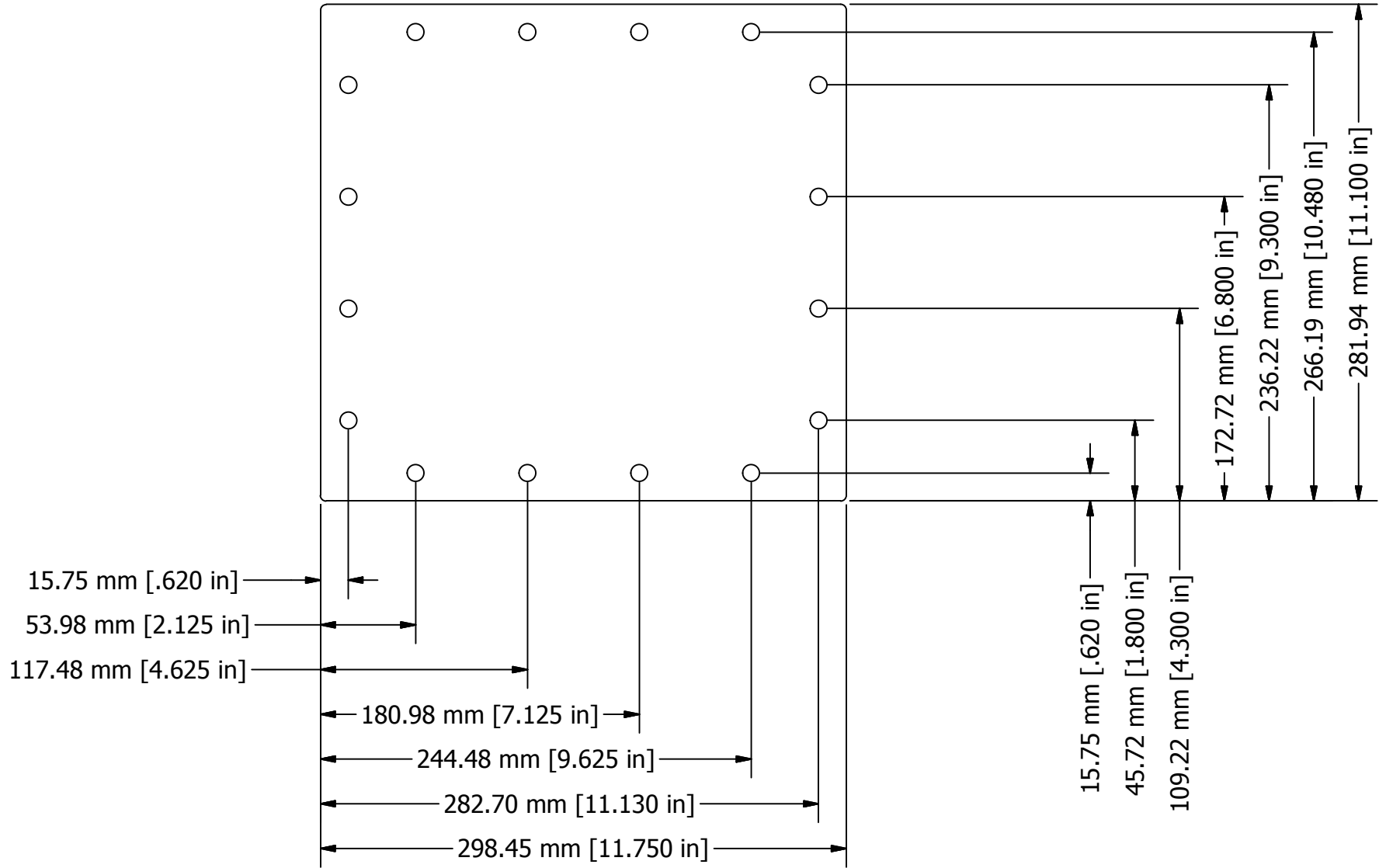
SHEET
2 OF 5

DRAWING NO.

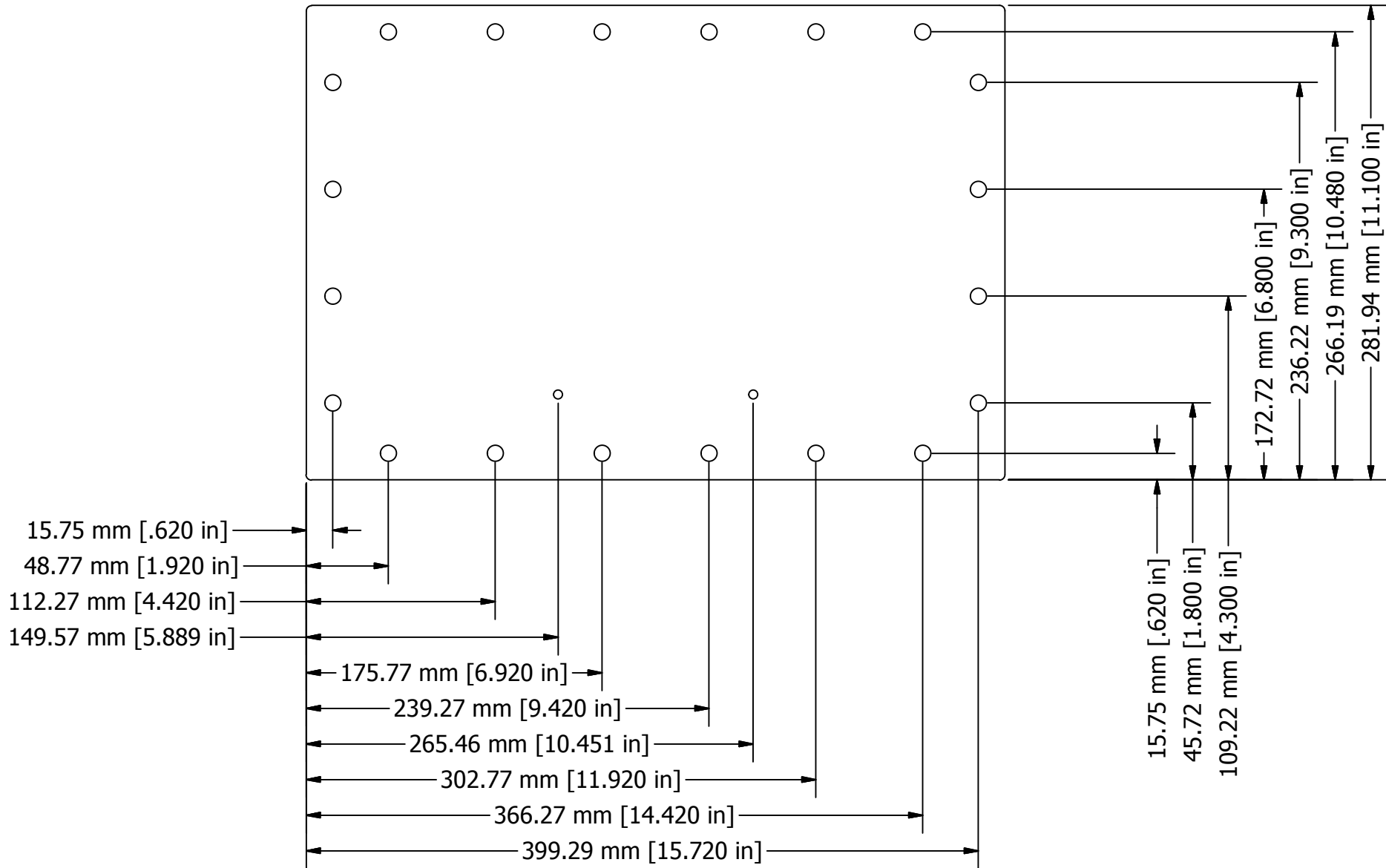
08701300TP14-CU

REVISION

A



COMMENTS / NOTES Side Panels	 WWW.MACPANEL.COM	DRAWN BY davecooper	DATE 16/04/2015	DESCRIPTION Enclosure, ITA, JSF, EMI Shielded
		Third Angle Projection		
		SHEET 3 OF 5	DRAWING NO. 08701300SP14-CU	REVISION A



COMMENTS / NOTES

Front Panel of Enclosure

MAC-PANEL

WWW.MACPANEL.COM

DRAWN BY
davecooper

DATE
16/04/2015



DESCRIPTION

Enclosure, ITA, JSF, EMI Shielded

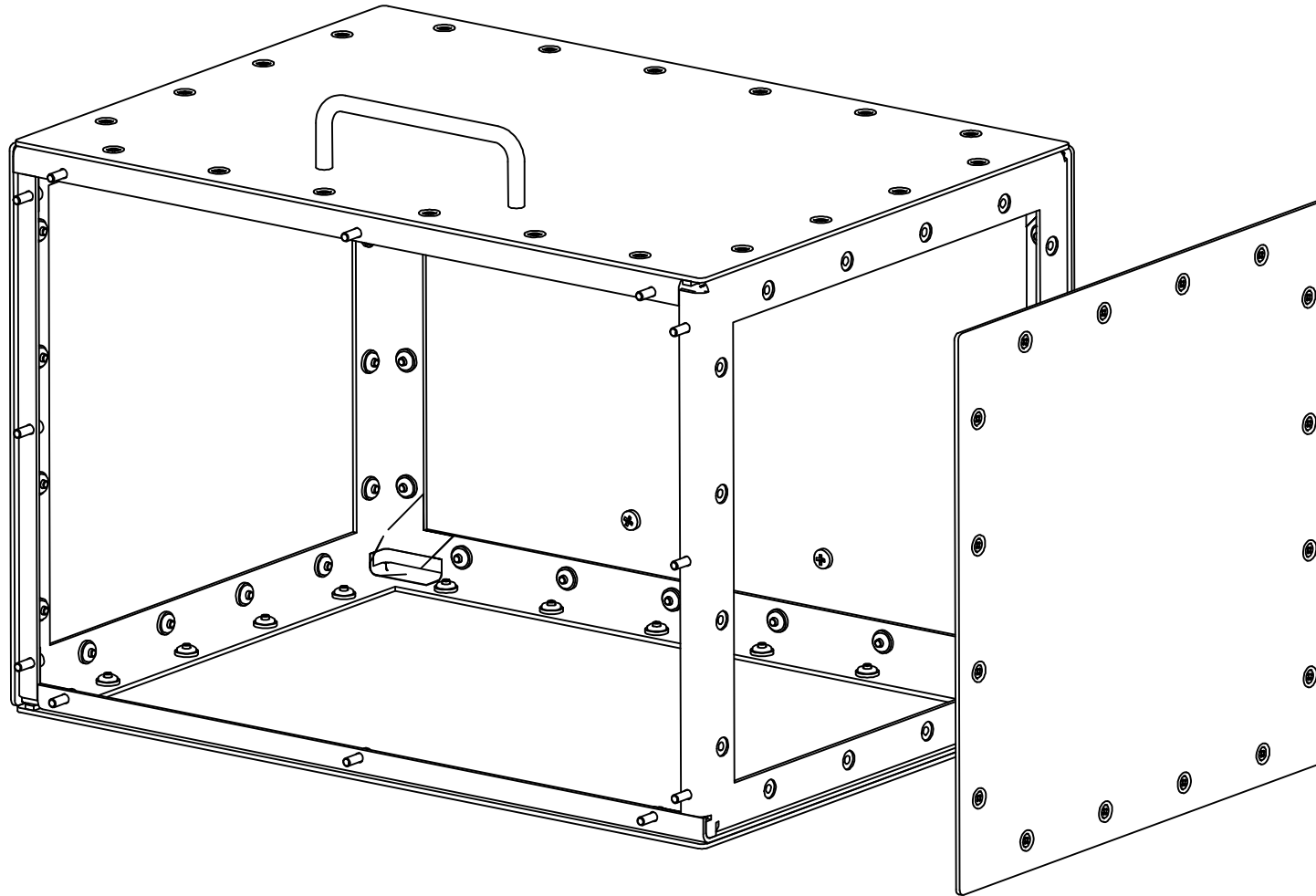
SHEET
4 OF 5

DRAWING NO.

08701300FP14-CU

REVISION

A



COMMENTS / NOTES
 All Panels remove

MAC-PANEL

WWW.MACPANEL.COM

DRAWN BY
 davecooper

DATE
 16/04/2015



Third Angle
 Projection

DESCRIPTION
 Enclosure, ITA, JSF, EMI Shielded

DRAWING NO.
 08701300-14-CU

REVISION
 A

SHEET
 5 OF 5