

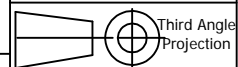
COMMENTS / NOTES

MAC-PANEL

WWW.MACPANEL.COM

DRAWN BY
davecooper

DATE
13/01/2014



Third Angle
Projection

DESCRIPTION

Wireless example PCB TITAN-25
Slot

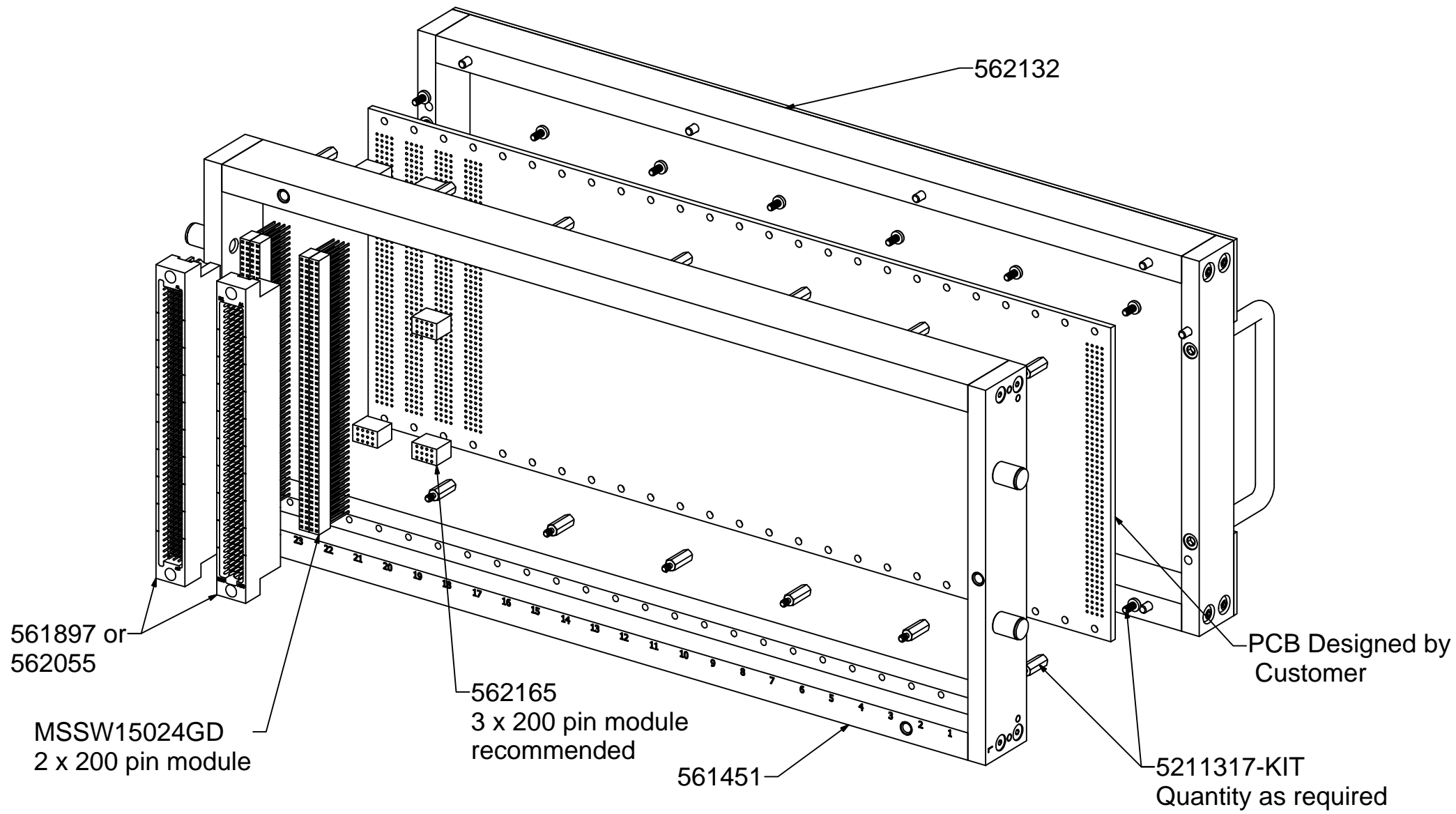
DRAWING NO.

-CU

REVISION

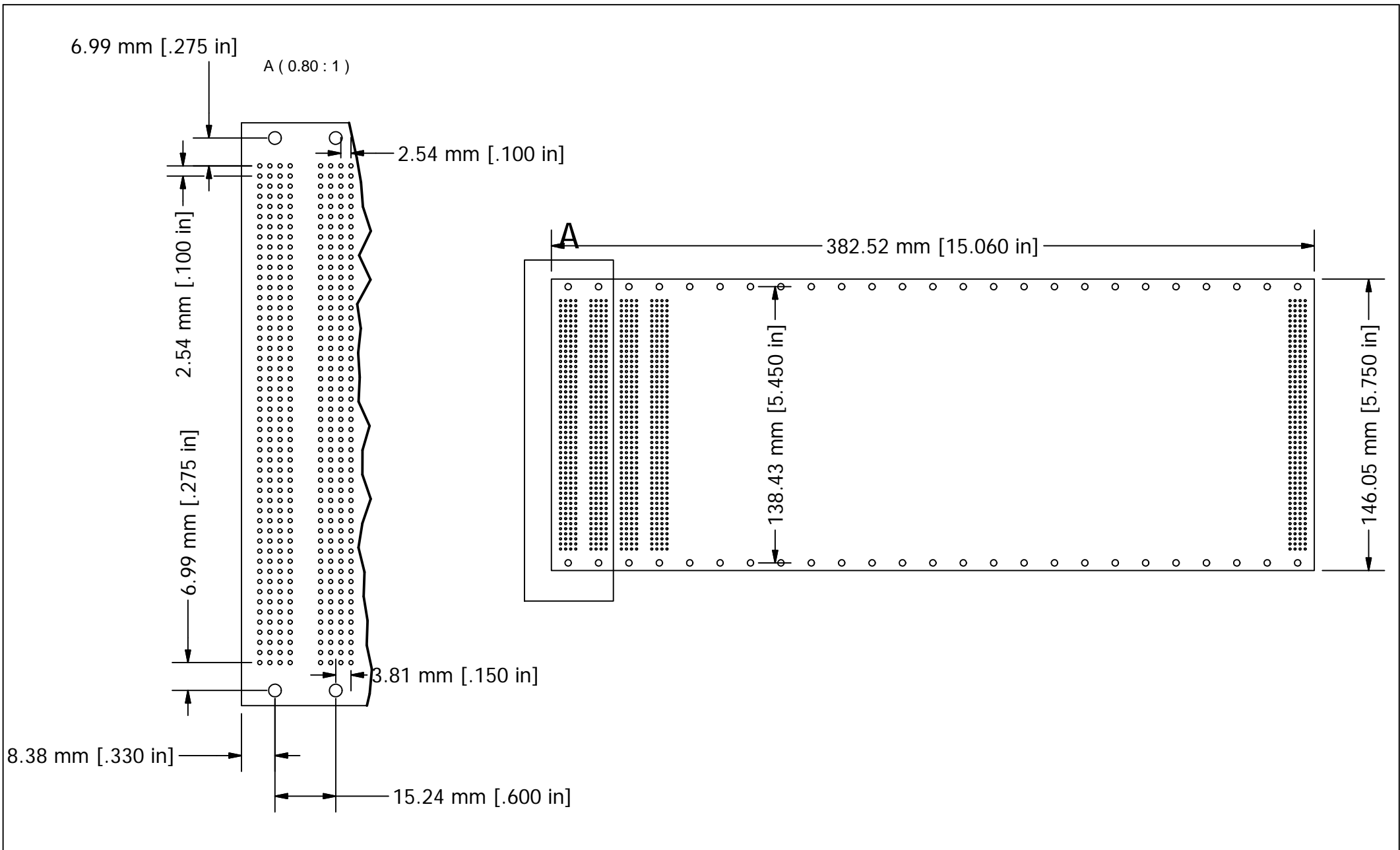
0

SHEET
1 OF 4

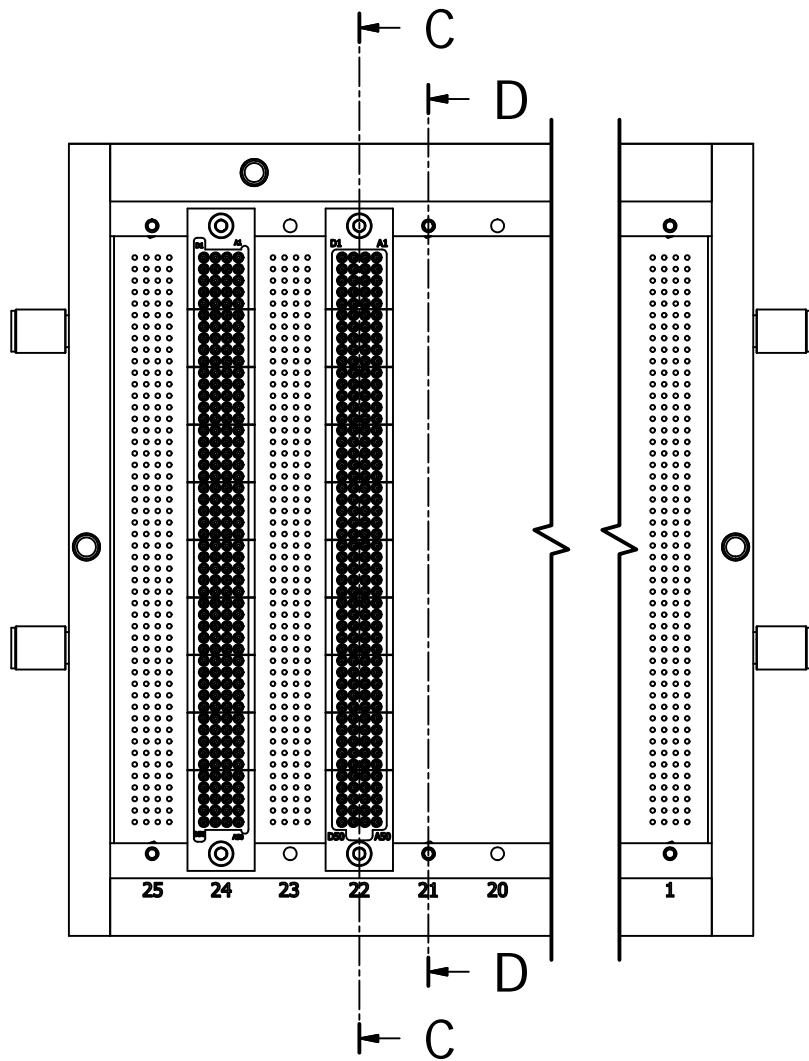


COMMENTS / NOTES

| | | | | |
|------------------|----------------------------|--------------------|---|---------------|
| | DRAWN BY davecooper | DATE 13/01/2014 | DESCRIPTION Wireless example PCB TITAN-25 Slot | |
| | Third Angle Projection | | DRAWING NO. -CU | REVISION 0 |
| WWW.MACPANEL.COM | SHEET 2 OF 4 | | | |

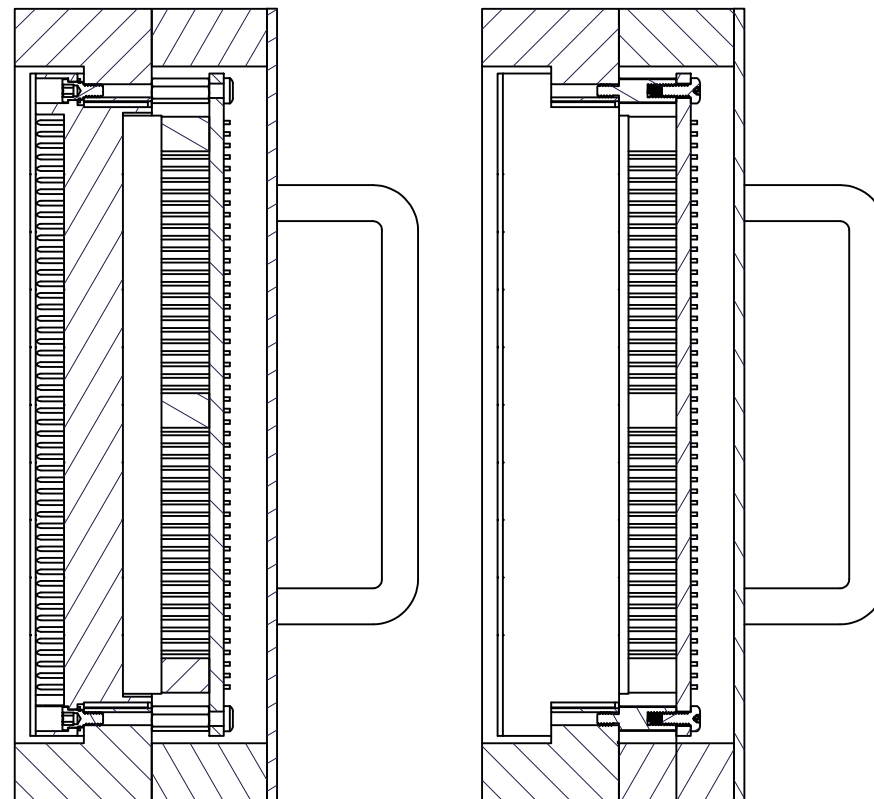


| | | | | |
|------------------|------------------|------------------------|--------------------|--|
| COMMENTS / NOTES | | DRAWN BY davecooper | DATE 13/01/2014 | DESCRIPTION Wireless example PCB TITAN-25slot |
| | WWW.MACPANEL.COM | | SHEET 3 OF 4 | DRAWING NO. -CU |
| | | | | REVISION 0 |



C-C (0.6)

D-D (0.6)



12.70 mm [.500 in]

2.29 mm [.090 in]

COMMENTS / NOTES

MAC-PANEL

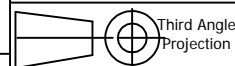
WWW.MACPANEL.COM

DRAWN BY
davecooper

DATE
13/01/2014

DESCRIPTION

Wireless example PCB TITAN-25
Slot



DRAWING NO.

-CU

REVISION

0

SHEET
4 OF 4