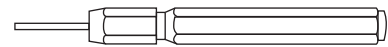
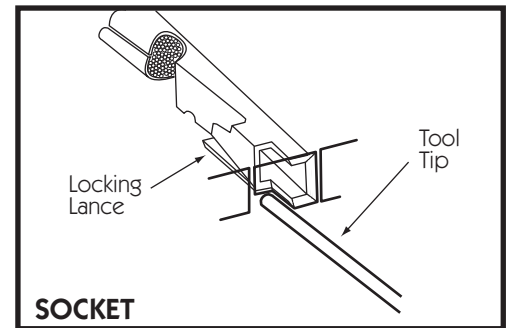
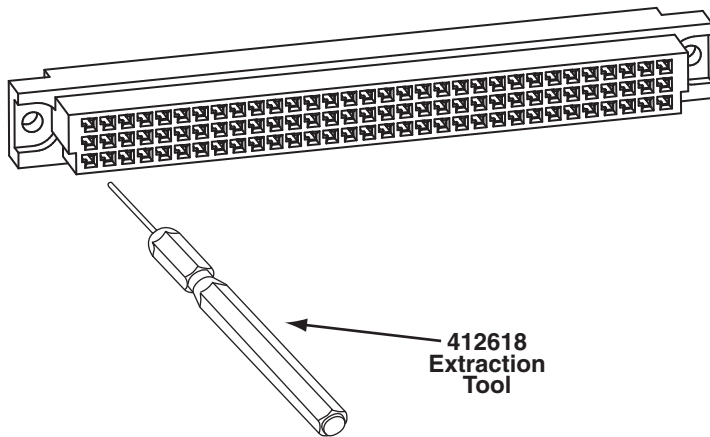


# 412618 Extraction Tool



412618 Extraction Tool  
(actual size)

## SOCKET EXTRACTION

1. Determine which contact is to be removed. Looking straight into **FRONT** of connector, notice the locking lance on the side of the contact.
2. Start the extraction tip along the side of contact to release locking lance.
3. Maintaining pressure on the locking lance, partially pull contact from contact cavity.
4. Remove extraction tip and pull contact from the wiring side of the connector.

**Note 1.** The extraction tool tip is designed to enter the contact cavity in the front of the connector and depress the locking lance of the contact. The extraction tip, located at the front of the tool, fits inside the contact to release the locking lance. The contact is then pulled from the wiring side of the connector.

### CORPORATE HEADQUARTERS

551 W. Fairfield Rd.  
High Point, NC 27263  
PH: +1 336.861.3100  
FAX: +1 336.861.6280  
[sales@macpanel.com](mailto:sales@macpanel.com)



[www.macpanel.com](http://www.macpanel.com)

### MAC PANEL LTD. - EUROPE

Clarence Rd., Bollington,  
Macclesfield, Cheshire SK 10 5JZ  
PH: +44 (0) 1625.572133  
FAX: +44 (0) 1625.576166  
[salesuk@macpanel.com](mailto:salesuk@macpanel.com)